

NanoCom Link S, X and SX Communication Products

Datasheet

Product name: NanoCom Link S, X and SX

Document No.: 1046020

Revision: 9.0

Author: ROBB

Approved by: HKK

Approval date: 05-11-2024

Confidentiality Notice

This document is submitted for a specific purpose as agreed in writing and contains information, which is confidential and proprietary. The recipient agrees by accepting this document, that this material will not be used, transferred, reproduced, modified, copied or disclosed in whole or in part, in any manner or to any third party, except own staff to meet the purpose for which it was submitted without prior written consent.

GomSpace © 2024

1	OVERVIEW	5
1.1	Highlighted Features.....	6
2	SYSTEM OVERVIEW	7
3	ABSOLUTE MAXIMUM RATINGS.....	8
4	EXTERNAL INTERFACES	9
4.1	X-Band Deep-Space Network Filter Kit	11
4.2	Interface Connectors	11
4.2.1	NanoCom SDR MK3.....	11
4.2.2	NanoCom ANT2150	14
4.2.3	NanoCom ANT8250	14
4.3	Power Interfaces.....	15
4.3.1	SDR MK3 PWR-1 and PWR-2.....	15
4.3.2	ANT2150-DUP Power.....	16
4.3.3	ANT8250 Power	16
4.4	Control and Data Interfaces	17
4.4.1	SDR MK3 CAN and RS422	17
4.4.2	SDR MK3 SpaceWire	18
4.4.3	SDR MK3 Debug Interface	19
4.4.4	SDR MK3 TR600 AFE Control Interface	20
4.4.5	ANT2150-DUP Control Interface	20
4.4.6	ANT8250 Control Interface	21
4.5	RF Interfaces	22
4.5.1	SDR MK3 TR600 RF Connectors.....	22
4.5.2	ANT2150-DUP RF Connectors.....	23
4.5.3	ANT8250 RF Connectors	23
5	ELECTRICAL CHARACTERISTICS	24
5.1	SDR MK3 Interfaces	24
5.2	ANT2150-DUP Power Supply	25
5.3	ANT8250 Power Supply	25
5.4	System Power Consumption	26
5.4.1	NanoCom Link S Power Consumption	27
5.4.2	NanoCom Link X Power Consumption	28
5.4.3	NanoCom Link SX Power Consumption.....	29
6	RF PERFORMANCE CHARACTERISTICS.....	30
6.1	S-Band Receiver.....	31
6.1.1	RX RSSI Reporting.....	32
6.1.2	RX Sensitivity.....	33
6.2	S-Band Transmitter.....	34
6.2.1	TX Channel Power.....	35
6.2.2	TX Occupied Bandwidth	37
6.2.3	TX Spectral Emission Mask.....	38
6.2.4	TX Spurious Emission	40
6.3	X-Band Transmitter.....	41
6.3.1	TX Channel Power.....	44
6.3.2	TX Occupied Bandwidth	45
6.3.3	TX Spectral Emission Mask.....	45
6.3.4	TX Spurious Emission	49
6.4	Deep-Space Network Regulations	50
6.4.1	X-Band DSN Filter Kit	51

7	ANTENNA PERFORMANCE CHARACTERISTICS	52
7.1	S-Band Patch (AM2150)	52
7.1.1	S-Band Realized Gain	52
7.1.2	S-Band Axial Ratio	53
7.1.3	S-Band Half Power Beamwidth	53
7.2	X-Band Patch (AM8250)	54
7.2.1	X-Band Realized Gain	54
7.2.2	X-Band Axial Ratio	55
7.2.3	X-Band Half Power Beamwidth	55
8	PROCESSING SYSTEM PERFORMANCE	56
8.1	Storage Performance	56
8.2	Data Transfer Performance	56
9	THERMAL CHARACTERISTICS	58
9.1	Thermal Model SDR MK3	58
9.2	Thermal Model ANT2150-DUP	58
9.3	Thermal Model ANT8250	58
10	MECHANICAL CHARACTERISTICS	60
10.1	SDR MK3 – NanoCom Link X	61
10.2	SDR MK3 – NanoCom Link S	62
10.3	SDR MK3 – NanoCom Link SX	63
10.4	ANT2150 Backplate X and Y	64
10.5	ANT2150 Backplate Z	65
10.6	ANT8250 Backplate X	66
10.7	ANT8250 Backplate Y	67
10.8	ANT8250 Backplate Z	68
10.9	DSN Filter Kit	69
10.9.1	RF Filter	69
10.9.2	IF Filter	70
11	MASS	71
11.1	SDR MK3	71
11.2	ANT2150-DUP	71
11.3	ANT8250	71
11.4	DSN Filter Kit	71
11.5	Product Cable Kit	71
12	QUALIFICATIONS	72
13	REVISION HISTORY	72
14	DISCLAIMER	72

1 Overview

NanoCom Link is a product family designed to provide seamless space to ground segment communication links in S- and X-Band.

This datasheet summarizes the key performance characteristics as well as selected parameters relevant for integration and interfacing with the NanoCom Link product in a satellite. Further details are available in the datasheets for the individual products as well as the *NanoCom Link S, X and SX User Manual*.

Depending on the purchased configuration, NanoCom Link consists of the following GomSpace devices:

NanoCom Link S:

- SDR: NanoCom SDR MK3, equipped with one TR600.
- ANT: NanoCom ANT2150-DUP, S-Band frontend, full duplex RX and TX.
- Space Link: S-band CCSDS 131.0-B-4 standard up to 7.5Mbit/sec.

NanoCom Link X:

- SDR: NanoCom SDR MK3, equipped with one TR600.
- ANT: NanoCom ANT8250, X-Band frontend, TX only.
- Space Link: X-band DVB-S2 standard up to 50Mbit/sec, 150Mbit/sec, 225Mbit/sec.

NanoCom Link SX:

- SDR: NanoCom SDR MK3, equipped with two TR600s.
- ANT1: NanoCom ANT2150-DUP, S-Band frontend, full duplex RX and TX.
- ANT2: NanoCom ANT8250, X-Band frontend, TX only.
- Space Link1: S-band CCSDS 131.0-B-4 standard up to 7.5Mbit/sec.
- Space Link2: X-band DVB-S2 standard up to 50Mbit/sec, 150Mbit/sec, 225Mbit/sec.

To ease integration and development, each product variant is delivered preloaded with modem software and includes all necessary cables to interconnect the SDR and antennas.

User selectable configurations like different antenna back plates, X-band bitrates, and optional filters for Deep Space Network compliance are chosen when ordering the product based on an option sheet. The option sheet can be found on the GomSpace web page.

Refer to product control- and RF interface control documents for CCSDS 131.0-B-4 related implementation limitations and details.

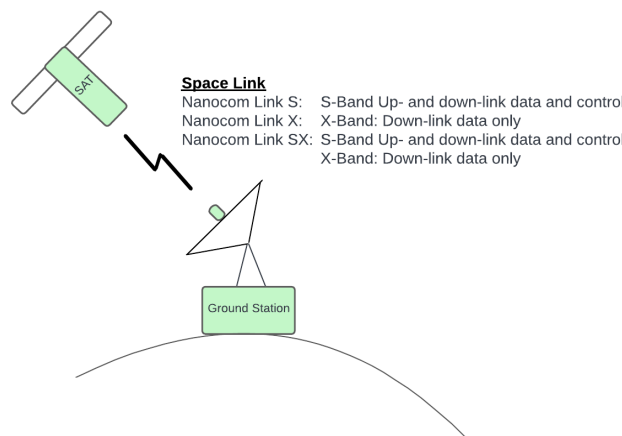


Figure 1-1: Supported Space Link Configurations.

1.1 Highlighted Features

General

- Based on TRL7 to TRL9 proven hardware modules.
- Qualified for >5years operation in space according to the GomSpace qualification program.
- CAN bus interface for CubeSat Space Protocol based control and telemetry.
- RS422 full duplex interface for low-speed payload data transfer.
- 3x SpaceWire LVDS interfaces for high-speed payload data transfer.

S-Band

- Full duplex continuous mode Rx and Tx based on the CCSDS 131.0-B-4 standard with:
 - GomSpace Stream Encapsulation, GSSE.
 - Idle byte insertion.
 - BPSK and QPSK modulation support.
 - Symbol rates 0.5MBd to 7.5MBd (symbols/sec).
 - Concatenated Code: Rate ½ Convolutional code with Reed Solomon (255,223).
 - Reed Solomon interleaving of 1, 2, 3, 4, 5 or 8 blocks.
- Transmit frequency range: 2200 to 2290MHz in steps of 1Hz.
- Receiver frequency range: 2025 to 2110MHz in steps of 1Hz.
- Adjustable output power up to 32dBm.
- Different back plates available for antenna mounting on nadir facing satellite side.

X-Band

- Based on the ETSI DVB-S2 standard.
- DVB-S2 modulation and coding, MODCOD 1 to 28.
- DVB-S2 baseband filtering roll-off of 0.2.
- Symbol-rates from 2 MBd up to 50 MBd (symbols/second) in standard configuration.
- Variable coding and modulation (VCM) and constant coding and modulation (CCM) modes of operation.
- DVB-S2 dummy frames inserted on idle link.
- DVB-S2 pilot frames included.
- DVB-S2 physical layer scrambler signature of 0.
- Store and Forward with GSUFTP.
- Standard configuration:
 - Transmit frequency: 8000 to 8400MHz in steps of 10MHz.
 - Adjustable output power up to 33dBm.
- With optional DSN Filter Kit:
 - Transmit frequency: 8020 to 8280MHz in steps of 10MHz.
 - Adjustable output power up to 31dBm.
- Designed for minimum 20 minutes of continuous TX operation.
- Different back plates available for antenna mounting on nadir facing satellite side.

Ground Segment

- Verified against commercial off-the-self modulator/demodulators:
 - S-Band: Kratos quantumRadio.
 - X-Band: Newtech MDM9000.
- Ground Segment integration shall follow the *NanoCom LINK S, X, SX RF Interface* (ICD) for compatible front-end processing (FEP) for steaming and file handling.
- Optionally, the Ground Segment integration can be aided with the GomSpace NanoCom LINK CONNECT software product from GomSpace (sold separately) which supports GSSE and GSUFTP front-end processing (FEP) for TCP/IP steaming connection and file downlink handling.

2 System Overview

Figure 2-1 provides a high-level system overview of the Nanocom Link SX product. Refer to the *NanoCom Link S, X and SX User Manual* for detailed description on how to configure and control the system.

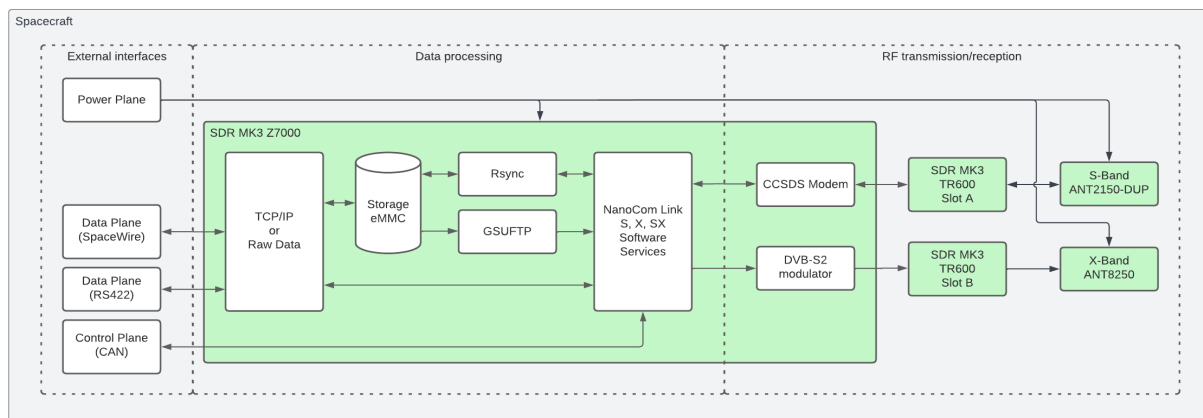


Figure 2-1: High-level system overview.

Power Plane

Power supply for the NanoCom SDR MK3, NanoCom ANT2150-DUP and NanoCom ANT8250.

Control Plane

The system is configured and controlled using CubeSat Space Protocol over the CAN interface. Telemetry can be obtained using that interface as well.

Data Plane

The product is equipped with three SpaceWire and one RS422 interface that can be used for data transfer.

The SpaceWire interfaces and the RS422 Interface supports TCP/IP or UDP/IP which is realized as a Linux IP tunnel interface for ease of integration allowing the use of standard linux tool to transfer or access the data storage. In addition to IP traffic, the SpaceWire has file mode (raw 'capture mode') allowing raw SpaceWire Link Layer (N-char) ingress frames to be written to the file storage.

When data is stored for future transmission, it is put into files and stored on the file system. These files can either be downlinked via TCP/IP over the S-band CCSDS Modem link. with the Linux Rsync application. When X-band is available files can also be forwarded to ground using the embedded GomSpace Unidirectional File Transfer Protocol (GSUFTP) application can transmit and re-transmit files to ground.

3 Absolute Maximum Ratings

Stresses above those listed under Absolute Maximum Ratings may cause permanent damage to the product.

Symbol	Parameter	Min	Max	Unit
T _{Storage}	Storage temperature	-40	85	°C
T _{IF-SDR}	SDR Thermal Interface temperature	-35	53	°C
T _{IF-ANT8250}	ANT8250 Thermal Interface temperature	-35	57	°C
T _{IF-ANT2150}	ANT2150 Thermal Interface temperature	-35	57	°C
V _{SDR}	SDR MK3 supply voltage	-0.3	36	V
V _{MAIN-8250}	ANT8250 main supply voltage	10	36	V
V _{COM-8250}	ANT8250 interface supply voltage	-0.3	5.5	V
V _{MAIN-2150}	ANT2150DUP main supply voltage	8	18	V
V _{SPW}	SpaceWire / LVDS voltage levels	-0.4	2.6	V
V _{RS422}	RS422 input voltage levels	0	4	V
V _{CAN}	CAN voltage levels	-60	60	V
P _{IN-2150}	Maximum input power at ANT2150-DUP, 2025 to 2110MHz		-40	dBm

4 External Interfaces

Below is a high-level overview of the NanoCom Link SX system solution. The following external interfaces are available for integration with the spacecraft / satellite bus:

Power: Power supply for NanoCom SDR MK3, NanoCom ANT2150-DUP and NanoCom ANT8250 (depending on the purchased configuration).

Control: The system is configured and controlled using CubeSat Space Protocol over a CAN interface. Telemetry can be obtained using that interface as well.

Data: 1x RS422 and 3x SpaceWire interfaces are available for TCP/IP or raw data transfer of payload data.

Debug: On ground debug and firmware upgrades are possible using the debug interface. Not intended to be used for flight or to be integrated with the satellite bus. Included for optional debug and test purposes.

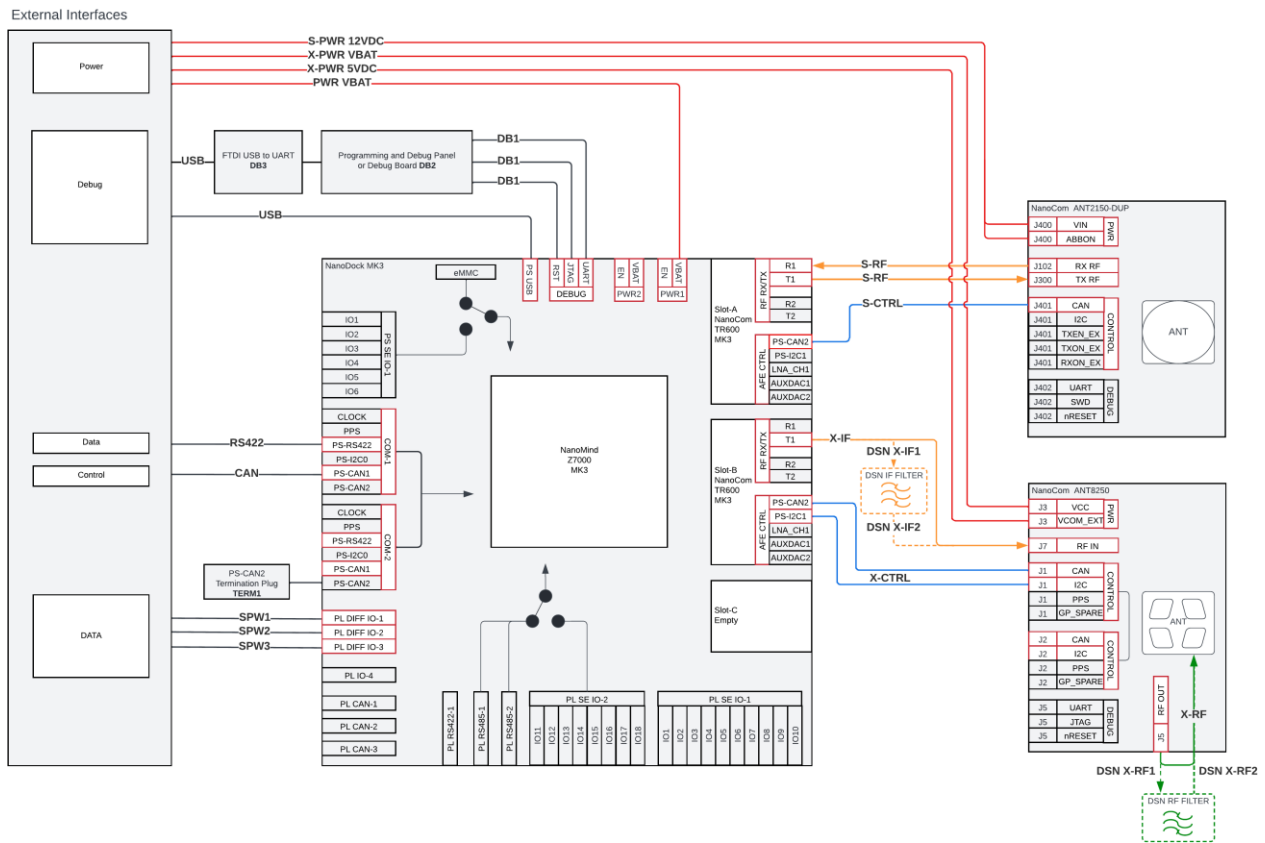


Figure 4-1: NanoCom Link SX system overview¹.

Note 1: SDR MK3, ANT2150-DUP and ANT8250 are equipped with different interfaces. It's only a subset of those which are used / supported within the NanoCom Link family. Unused or unsupported connections are greyed out and doesn't carry any external signals in the block diagram.

Cables necessary for interfacing between the SDR MK3 and NanoCom ANT2150-DUP and NanoCom ANT8250 are included with the product. This includes power cables as well. Below is an overview of cables included with the product depending on the purchased configuration of NanoCom Link:

ID	S	X	SX	Length	Description
PWR	√	√	√	50cm	SDR MK3 power to flying leads
S-PWR	√	N.A.	√	50cm	ANT2150 power to flying leads
X-PWR	N.A.	√	√	50cm	ANT8250 power to flying leads
DB1	√	√	√	3.5cm	SDR MK3 debug harness ¹
DB2	√	√	√	N.A.	SDR MK3 debug breakout PCB ¹
DB3	√	√	√	N.A.	FTDI USB-TTL serial cable ¹
USB	√	√	√	100cm	SDR MK3 USB Cable ¹
S-RF	√	N.A.	√	50cm	RG-178 Coax cable, SSMCX to SMPM ³
X-IF	N.A.	√	√	50cm	RG-178 Coax cable, SMPM to SMPM ³
X-RF	N.A.	√	√	5.5cm	SMPM to SMP .085" semi rigid coax cable
S-CTRL	√	N.A.	√	50cm	TR600 MK3 to ANT2150 control harness
X-CTRL	N.A.	√	√	50cm	TR600 MK3 to ANT8250 control harness
TERM1	√	√	N.A.	N.A.	SDR MK3 Mainbus CAN2 120R termination ²

Table 4-1: Product cable kit content.

Note 1: Included for debug / test purpose only.

Note 2: For the NanoCom Link S and X variants a CAN termination resistor is needed on the SDR DOCK. The plug is included in the cable kit and can be inserted into either COM-1 or COM-2 on the SDR MK3 DOCK for proper termination of PS-CAN2.

Note 3: Minimum bend radius is 10mm.

The location of the required individual connectors is documented in the next section. Followed by a detailed connector pinout for the Power, Control and Data along with the RF interface. These are the only electrical interfaces to be integrated with the spacecraft / satellite bus.

4.1 X-Band Deep-Space Network Filter Kit

For the NanoCom Link X and XS it's possible to select an optional DSN band filter kit when ordering the product. The kit adds an IF filter, RF filter, and necessary coax cables for wiring to comply with ITU regulations when running X-Band. Limitations on usage when used in proximity of NASA's Deep-Space network stations with and without the DSN filter kit is further detailed in section 6.4.

The X-Band DSN filter kit is an add-on to the standard configuration. It is therefore possible to revert to the standard configuration simply by omitting the filters and use the standard wiring.

ID	Length	Description	Interconnection
DSN X-IF1	5.5cm	SMA to SMPM RG 178 coax cable ^{1 & 3}	T1 TR600 Slot B to IF filter
DSN X-IF2	50cm	SMA to SMPM RG 178 coax cable ^{1 & 3}	IF filter to ANT8250 RF input
DSN X-RF1	22cm	SMA to SMPM .085" semi rigid coax cable ^{2 & 3}	ANT8250 RF output to RF Filter
DSN X-RF2	22cm	SMA to SMP .085" semi rigid coax cable ^{2 & 3}	RF filter to AM8250 RF input
DSN X-IF Filter	N.A.	1150MHz band pass filter, 60MHz BW – attached to SDR MK3 Slot-C cover shield.	
DSN X-RF Filter	N.A.	8150MHz band pass filter, 300MHz BW – with mounting bracket.	

Table 4-2: DSN Filter Kit content.

Note 1: Minimum bend radius is 10mm.

Note 2: Minimum bend radius is 3.2mm.

Note 3: Coax cables are mounted on to the IF and RF filters on the SMA connector side using a mounting torque of 0.8 to 1.0NM. For the end-user to be able to modify the orientation of the SMA plugs, the product is delivered without any kind of thread lock applied to fixate the SMA plugs.

4.2 Interface Connectors

Interface connectors used by NanoCom Link on NanoCom Link SDR MK3, ANT2150-DUP and ANT8250.

4.2.1 NanoCom SDR MK3

The SDR MK3 is equipped with one or two TR-600 depending on the purchased configuration. Perspective views of the different configurations are shown below.



SDR MK3 NanoCom Link S
 TR600 Slot A ↔ ANT2150-DUP
 Slot B and C Empty



SDR MK3 NanoCom Link X
 TR600 Slot B ↔ ANT8250
 Slot A and C Empty



SDR MK3 NanoCom Link SX
 TR600 Slot A ↔ ANT2150-DUP
 TR600 Slot B ↔ ANT8250
 Slot C Empty

Figure 4-2: Perspective views of SDR MK3 NanoCom Link S, X and SX.

All external connectors reside on the dock except for the interface for the active frontends ANT2150-DUP and ANT8250, which are located on the allocated TR600s. The individual connector placement is illustrated for the NanoCom Link SX variant below.

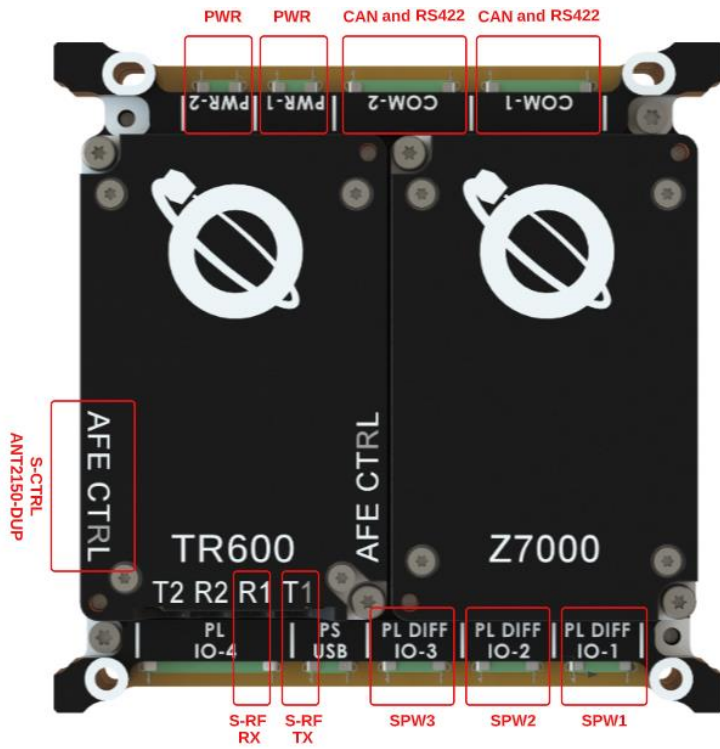


Figure 4-3: SDR MK3 NanoCom Link SX top view.

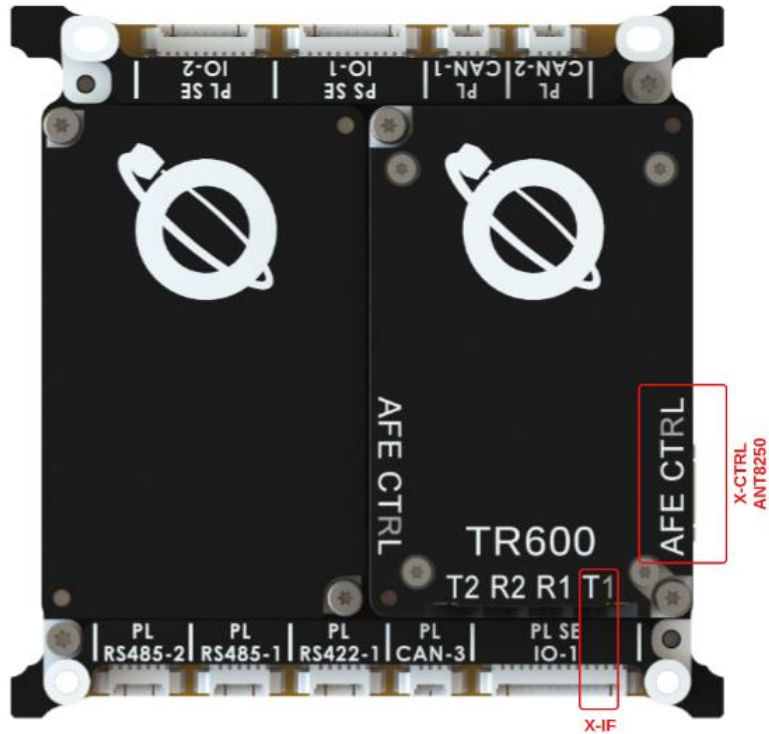


Figure 4-4: SDR MK3 NanoCom Link SX bottom view.

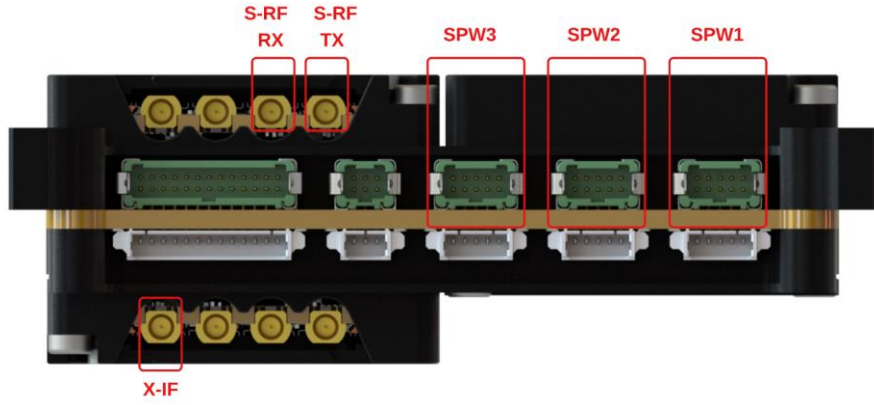


Figure 4-5: SDR MK3 NanoCom Link SX front side view.

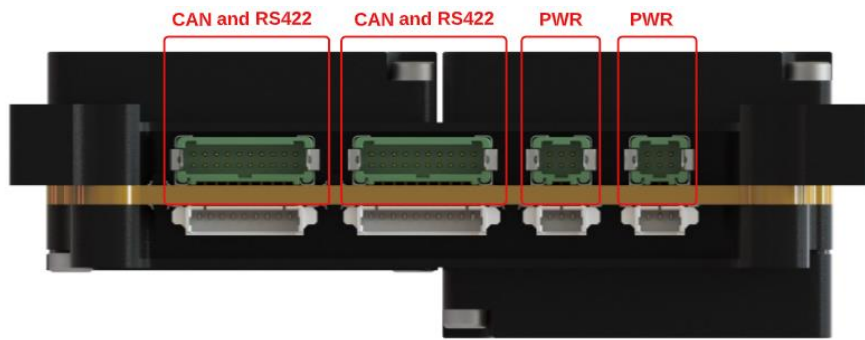


Figure 4-6: SDR MK3 NanoCom Link SX back side view.

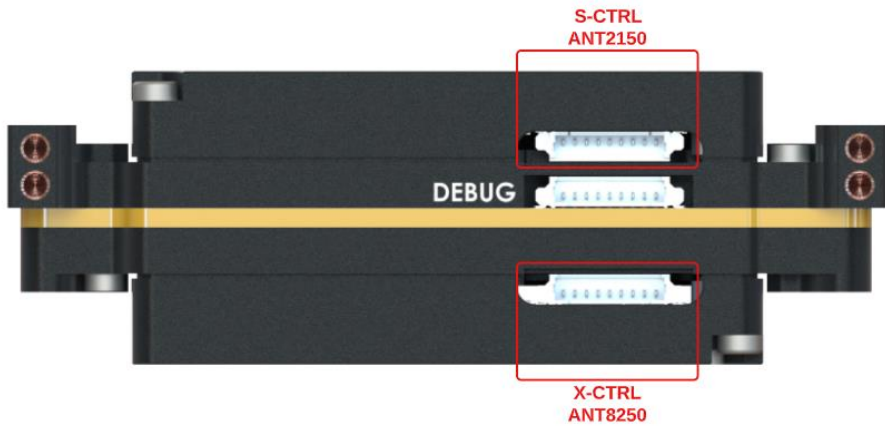


Figure 4-7: SDR MK3 NanoCom Link SX left side view.

4.2.2 NanoCom ANT2150

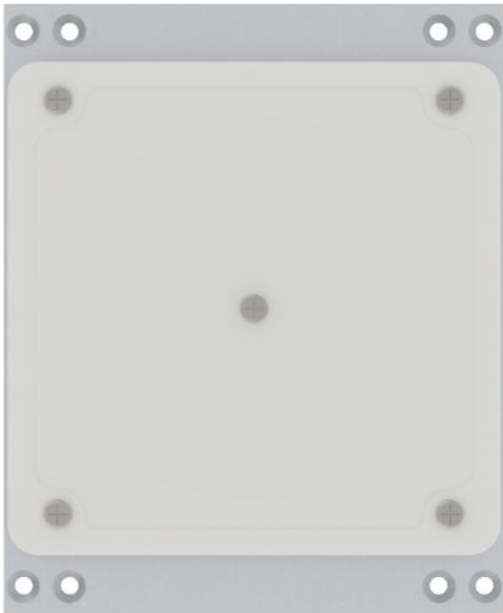


Figure 4-8: NanoCom ANT2150-DUP top view.

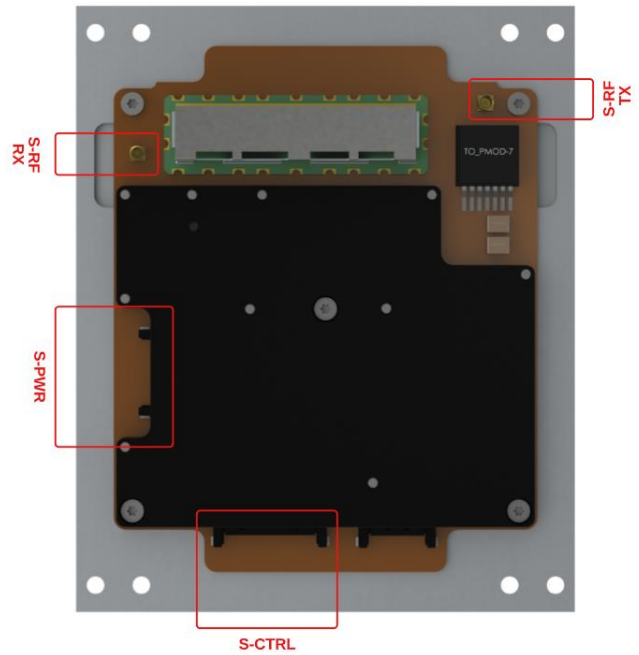


Figure 4-9: NanoCom ANT2150-DUP bottom view.

4.2.3 NanoCom ANT8250

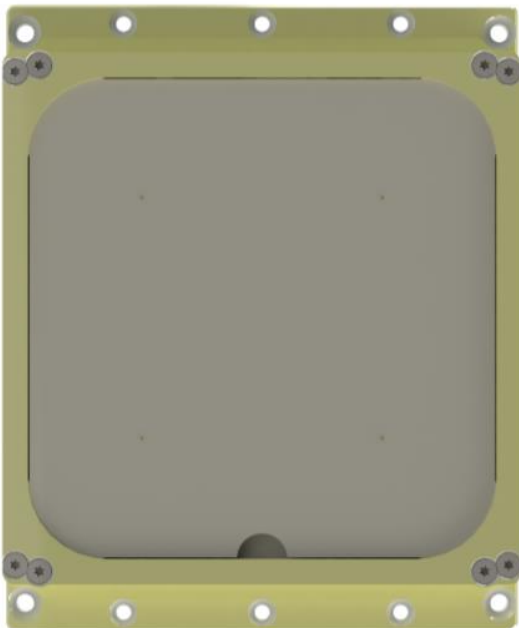


Figure 4-10: NanoCom ANT8250 top view.



Figure 4-11: NanoCom ANT8250 bottom view.

4.3 Power Interfaces

4.3.1 SDR MK3 PWR-1 and PWR-2

SDR MK3 is equipped with two Gecko G125-MH10605L1R 1.25mm pitch high-reliability connectors with latches from Harwin for external power supply. The board can be supplied through either connector, PWR-1 or PWR-2, using a single power supply or by connecting two independent power supplies for redundancy. A supply balancing circuit automatically selects whichever of the two power connectors that carries the highest VIN voltage as supply source. The load will be shared between the two power connectors if the external supply voltages VIN1 and VIN2 are of equal levels.

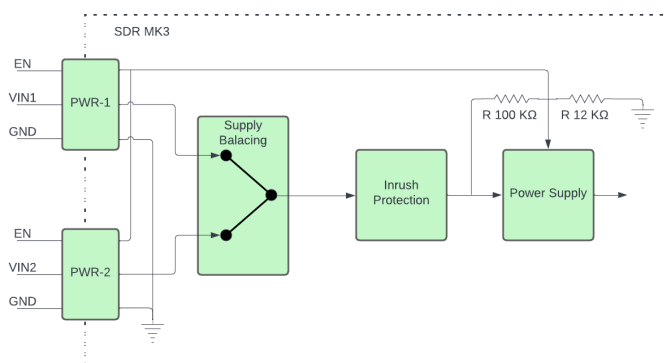


Figure 4-12: SDR MK3 power supply interface.

The EN pin makes it possible to turn ON or OFF the SDR MK3 independent of supply voltage. The feature can be omitted by leaving the EN pin not connected. When the EN pin is left floating / not connected, the SDR MK3 will automatically turn ON when the supply voltage raises above 10V and turn OFF below at supply voltages below 8.5V.

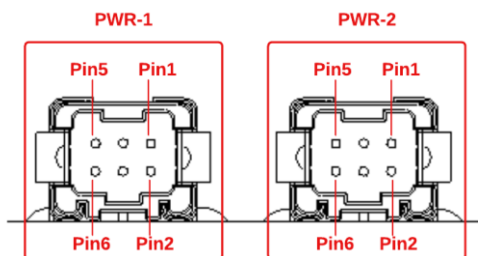


Figure 4-13: PWR-1 and PWR-2 connector pinout.

Pin	PWR-1 Signal	PWR-2 Signal	Description
1	VIN1	VIN2	Supply voltage (12V to 32V)
2	EN	EN	Optional enable signal, tied to Vin through a 100kohm / 12kohm divider locally on the SDR MK3. EN = 0V to 0.8V: SDR MK3 is OFF EN = 1.2V to 24V: SDR MK3 is ON EN = Not connected: Automatic supply switching, SDR MK3 is ON when supply voltage is > 10V and OFF < 8.5V.
3	VIN1	VIN2	Supply voltage (12V to 32V)
4	GND	GND	
5	VIN1	VIN2	Supply voltage (12V to 32V)
6	GND	GND	

4.3.2 ANT2150-DUP Power

ANT2150-DUP is powered via a PicoLock, 504050-0791, 1.50 mm pitch Molex connector.

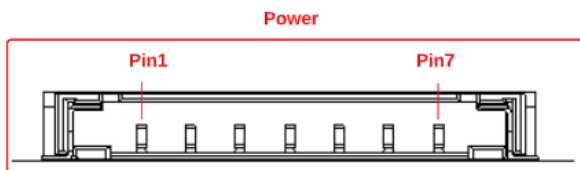


Figure 4-14: ANT2150-DUP S-PWR connector pinout.

Pin	Signal	Description
1	ABBON	External power control pin: Low < 0.4 V, High > 2.5 V (max 18V) Low: Antenna is OFF High: Antenna is ON (Antenna enters IDLE mode when AABON pin is asserted)
2	GND	
3	GND	
4	GND	
5	VIN	Supply voltage (8V to 18V)
6	VIN	Supply voltage (8V to 18V)
7	VIN	Supply voltage (8V to 18V)

4.3.3 ANT8250 Power

ANT8250 is powered via a PicoBlade, 53398-0771, 1.25 mm pitch Molex connector.

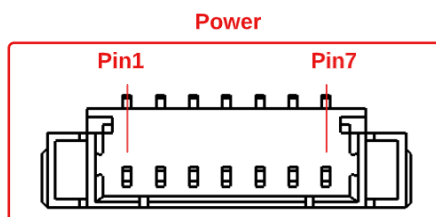


Figure 4-15: ANT8250 X-PWR connector pinout.

Pin	Signal	Description
1	VCOM	Communication interface supply (Regulated 4.9V to 5.1V).
2	GND	
3	GND	
4	GND	
5	GND	
6	VBAT	Frontend supply voltage (12V to 32V)
7	VBAT	Frontend supply voltage (12V to 32V)

4.4 Control and Data Interfaces

4.4.1 SDR MK3 CAN and RS422

SDR MK3 is equipped with two Gecko G125-MH12005L1R 1.25mm pitch high-reliability connectors with latches from Harwin for access to its main communication interface. The individual pins of the two connectors are interconnected, which allow the SDR to be used in different bus topologies. The secondary connector can be used for interconnecting with other devices in multidrop bus configuration or for bus terminations if it's the last node in the system.

Of all the signals present in the main communication interface connectors, it is only CAN1 (Pin 2 and 4) and RS422 (Pin 14, 16, 18 and 20) that are used on NanoCom Link for control and data.

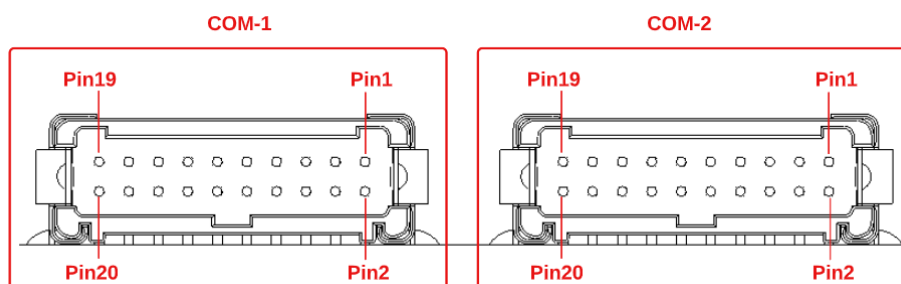


Figure 4-16: COM-1 and COM-2 pinout.

Pin	Signal	Description
1	I2C0-SDA	I2C0 serial data line
2	CAN1-P	CAN1 positive line used for CSP control interface
3	GND	
4	CAN1-N	CAN1 negative line used for CSP control interface
5	I2C0-SCL	I2C0 serial clock line
6	CAN2-P	CAN2 positive line dedicated frontend control via TR600 ¹
7	GND	
8	CAN2-N	CAN2 negative line dedicated frontend control via TR600 ¹
9	PPS-P	Pulse Per Second LVDS positive input line
10	CLK-P	Ext reference clock LVDS positive input line
11	PPS-N	Pulse Per Second LVDS negative input line
12	CLK-N	Ext reference clock LVDS negative input line
13	UART0-TX	Universal asynchronous transmitter output
14	RS422-TX-P	RS422 Noninverting driver output for payload data interface
15	GND	
16	RS422-TX-N	RS422 Inverting driver output for payload data interface
17	UART0-RX	Universal asynchronous receiver input
18	RS422-RX-P	RS422 Noninverting receiver input for payload data interface
19	GND	
20	RS422-RX-N	RS422 Inverting receiver input for payload data interface

Note 1: CAN2 is dedicated to frontend control on NanoCom Link. It should not be interconnected to other CAN networks. For proper operation a CAN network is to be equipped with 120ohm terminations on the outer ends. ANT2150-DUP and ANT8250 are both equipped with 120ohm CAN terminations. Therefore, on NanoCom Link SX, proper CAN2 termination is secured by the RF frontends. On NanoCom Link S and X, which are only equipped with one RF frontend, CAN2 termination must be present on the SDR MK3 side as well. In this case a termination plug containing a 120ohm resistor on CAN2 is included with the product. The termination can be inserted into either COM-1 or COM-2.

4.4.2 SDR MK3 SpaceWire

SDR MK3 is equipped with three independent bi-directional, full-duplex SpaceWire interfaces for payload data transfer. It uses Gecko G125-MH11005L1R 1.25mm pitch high-reliability connectors with latches from Harwin for each of the three interfaces:

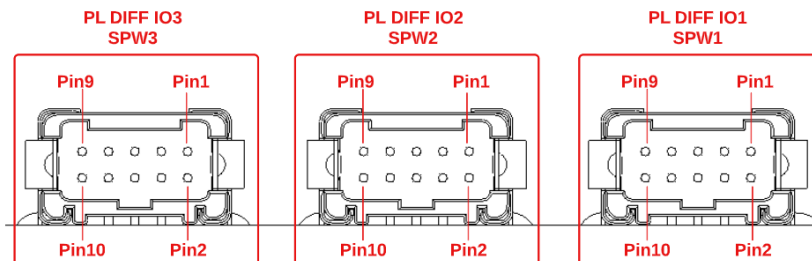


Figure 4-17 SPW1, SPW2 and SPW3 pinout.

Each SpaceWire interface uses two signals, data and strobe, in receive and transmit direction to send serial bit streams. The signals are based on low voltage differential signals according to the ANSI TIA/EIA-644 Standard and require two pins for each signal. The signals are named:

Pin	Signal	Description
1	Dout-	LVDS Data output negative line
2	Sin+	LVDS Strobe input positive line ¹
3	Dout+	LVDS Data output positive line
4	Sin-	LVDS Strobe input negative line ¹
5	GND	GND connection for inner cable shielding ²
6	GND	GND connector for outer cable shielding ²
7	Sout-	LVDS Strobe output negative line
8	Din+	LVDS Data input positive line ¹
9	Sout+	LVDS Strobe output positive line
10	Din-	LVDS Data input negative line ¹

Note 1: Din and Sin inputs are equipped with 100ohm termination resistors across the positive and negative terminals. The terminations reside internal to Z7000 and is realized using programmable logic. Meaning the SDR MK3 needs to be powered for the termination to be present. When unpowered the inputs are high impedance.

Note 2: Two pins for inner and outer cable shielding are available in each SpaceWire interface. A SpaceWire cable contain four twisted pair of wires with a characteristic impedance of 100ohm. In case of shielding, it's possible to use the GND pins to terminate inner (around each twisted pair) and outer shielding by connecting to those pins.

4.4.3 SDR MK3 Debug Interface

The SDR MK3 DOCK is equipped with a debug connector for production and debug purposes. It uses a Picoblade, 53261-0971 1.25mm pitch high-reliability connector from Molex:

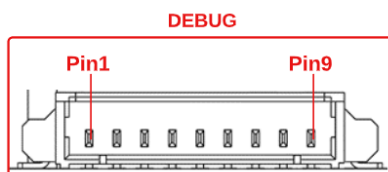


Figure 4-18 DEBUG connector pinout.

Pin	Signal	Description
1	TDO	JTAG Test Data Out
2	TCK	JTAG Test Clock
3	TMS	JTAG Test Mode Select
4	TDI	JTAG Test Data In
5	SYS_RST	System Reset
6	3.3V	3.3V from the NanoCom SDR
7	UART_RX	Debug UART Receive Line
8	UART_TX	Debug UART Transmit Line
9	GND	

Each NanoCom Link product is delivered with the required HW to interface between the debug UART and USB (DB1, DB2 and DB3 in Table 4-1). By connecting the USB to a PC it's possible to access the Linux command line interface on the SDR using a terminal program. The interface is not intended to be used in flight or integrated with the satellite bus.

4.4.4 SDR MK3 TR600 AFE Control Interface

Each TR600 module is equipped with two AFE CTRL connectors, dedicated configuration, and control of the RF frontends. It uses Picoblade, 53261-0971, 1.25mm pitch high-reliability connectors from Molex. The two connectors are interconnected and have similar pin-out.

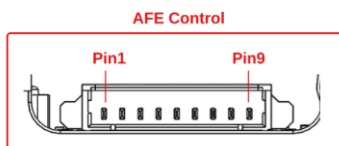


Figure 4-19 TR600 AFE CTRL connector pinout.

Pin	Signal	Description
1	CAN2-P	CAN2 positive line used for RF CSP control
2	CAN2-N	CAN2 negative line used for RF CSP control
3	GND	
4	I2C-SCL	I2C serial clock line used for RF CSP control
5	I2C-SDA	I2C serial data line used for RF CSP control
6	PSU	Output 4.6V power supply
7	AUXDAC2	TR600 transceiver AD9361-AUXDAC2
8	AUXADC	TR600 transceiver AD9361-AUXADC
9	GND	

ANT2150 S-CTRL interface uses CAN2-P, CAN2-N and GND for control and configuration.
 ANT8250 X-CTRL interface uses CAN2-P, CAN2-N, I2C-SCL, I2C-SDA and GND for control and configuration.
 The other pin / interfaces are not used on NanoCom Link and must be left “not connected”.

4.4.5 ANT2150-DUP Control Interface

ANT2150-DUP is equipped with an S-CTRL connector, dedicated configuration, and control. It uses a PicoLock, 504050-1091, 1.5mm pitch high-reliability connector from Molex:

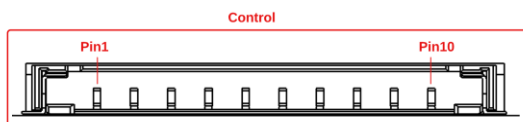


Figure 4-20 ANT2150-DUP S-CTRL connector pinout.

Pin	Signal	Description
1	GND	
2	GND	
3	I2C-SCL	I2C serial clock line
4	I2C-SDA	I2C serial data line
5	CAN2-N	CAN2 negative line used for RF CSP control
6	CAN2-P	CAN2 positive line used for RF CSP control
7	GND	
8	TXEN	TX Enable control pin
9	TXON	TX ON control pin
10	RXON	RX ON control pin

ANT2150-DUP uses CAN2-P, CAN2-N and GND for control and configuration.
 The other pin / interfaces are not used on NanoCom Link and must be left “not connected”.

4.4.6 ANT8250 Control Interface

ANT8250 is equipped with a X-CTRL connector, dedicated configuration, and control. It uses a Picoblade, 53398-1071, 1.25mm pitch high-reliability connector from Molex:

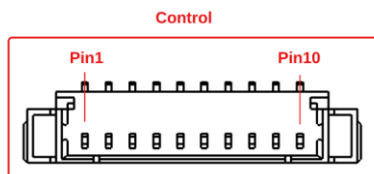


Figure 4-21 ANT8250 X-CTRL connector pinout.

Pin	Signal	Description
1	GND	
2	GP_Spare	Not used
3	PPS L	Not used
4	PPS H	Not used
5	GND	
6	I2C-SDA	I2C serial data line used for RF CSP control
7	GND	
8	I2C-SCL	I2C serial clock line used for RF CSP control
9	CAN2-N	CAN2 negative line used for RF CSP control
10	CAN2-P	CAN2 positive line used for RF CSP control

ANT8250 uses CAN2-P, CAN2-N, I2C-SCL, I2C-SDA and GND for control and configuration.
 The other pin / interfaces are not used on NanoCom Link and must be left “not connected”.

4.5 RF Interfaces

NanoCom Link is delivered with the required coax cables to interconnect SDR MK3 TR600 with ANT2150-DUP and ANT8250. The product is tested and qualified based with the characteristics of those specific cables.

Depending on NanoCom Link variant the following connectors are used to interconnect SDR MK3 TR600 with ANT2150-DUP and ANT8250:

SDR MK3 TR600	Connector	RF Frontend	Connector	Signal	Frequency
Slot A	T1	ANT2150-DUP	S-RF TX	S-RF TX	2200-2290 MHz
	R1		S-RF RX	S-RF RX	2025-2120 MHz
Slot B	T1	ANT8250	RF IN	X-IF	1150 MHz

4.5.1 SDR MK3 TR600 RF Connectors

Each TR600 module is equipped with four SMPM RF connectors 925-126J-51P from Amphenol:

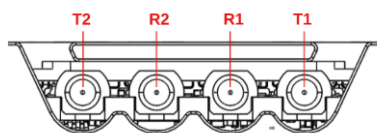


Figure 4-22 TR600 RF connector pinout.

RF Connector	Type	Manufacturer / Part Number	Description
T1	SMPM	Amphenol / 925-126J-51P	TR600 TX output 1.
R1	SMPM	Amphenol / 925-126J-51P	TR600 RX input 1.
T2	SMPM	Amphenol / 925-126J-51P	TR600 TX output 2.
R2	SMPM	Amphenol / 925-126J-51P	TR600 RX input 2.

4.5.2 ANT2150-DUP RF Connectors

ANT2150-DUP is equipped with two RF connectors 73413-0040 from Molex:

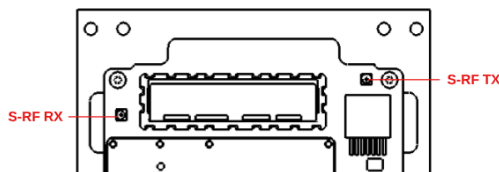


Figure 4-23 ANT2150-DUP RF connector pinout.

RF Connector	Type	Manufacturer / Part Number	Description
S-RF TX	SSMCX	Molex / 73413-0040	ANT2150-DUP TX frequency input from SDR MK3 TR600 T1 in Slot A.
S-RF RX	SSMCX	Molex / 73413-0040	ANT2150-DUP RX frequency output to SDR MK3 TR600 R1 in Slot A.

4.5.3 ANT8250 RF Connectors

ANT8250 is equipped with three RF connectors.

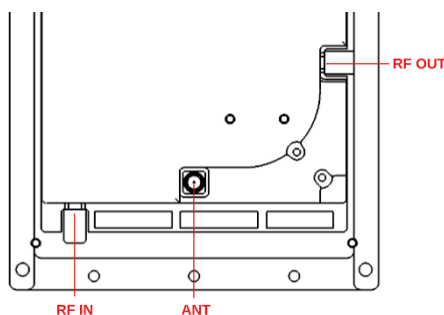


Figure 4-24 ANT8250 RF connector pinout.

RF Connector	Type	Manufacturer / Part Number	Description
RF IN	SMPM	Amphenol / 925-126J-51P	ANT8250 RF intermediate frequency input from SDR MK3 TR600 T1 in Slot B.
RF OUT	SMPM	Amphenol / 925-126J-51P	ANT8250 RF output of the amplified and upconverted signal going to the X-Band patch antenna.
ANT	SMP	Amphenol / SMP-MSLD-PCT-10	Input of the X-Band patch antenna.

In the standard configuration RF IN is to be connected to TR600 Slot B T1 using the X-IF cable (Table 4-1). And RF OUT is to be connected to the ANT port using the X-RF cable (Table 4-1).

In case the DSN band filter kit option has been selected, the X-IF cable is to be replaced by DSN X-IF1, X-IF2 with the DSN X-IF Filter fitted (Table 4-2). And X-RF cable is to be replaced by DSN X-RF1, X-RF2 with the DSN X-RF Filter fitted (Table 4-2).

5 Electrical Characteristics

5.1 SDR MK3 Interfaces

Symbol	Connector	Parameter	Min	Typ	Max	Unit
V_{IN}	Power	Supply voltage	12		32	V
I_{IN}	PWR-1 PWR-2	Supply current			1.0	A
EN_{THHIGH}		Enable signal threshold, EN rising	0.95	1.01	1.07	V
EN_{HYST}		Enable signal hysteresis		45		mV
$EN_{PIN_CUR_5V}$		EN pin current, EN=5V, VIN=12 to 32V	146		350	uA
$EN_{PIN_CUR_0V}$		EN pin current, EN=0V, VIN=12 to 32V	-320		-120	uA
SPW_{INDIFF}	SpaceWire	Differential input voltage, ICM=1.25V	100	350	600	mV
SPW_{INCM}	PL DIFF IO1 ¹ PL DIFF IO2 ¹	Input common mode voltage, IDIFF = ± 350 mV	0.3	1.2	1.425	V
SPW_{INTERM}	PL DIFF IO3 ¹	Input termination resistance		100		Ω
$SPW_{OUTDIFF}$		Differential output voltage, RT = 100 Ω	247	350	600	mV
SPW_{OUTCM}		Output common mode voltage, RT = 100 Ω	1.0	1.25	1.425	V
$RS422_{INDIFF}$	RS422	Differential input threshold voltage	-0.2		0.2	V
$RS422_{INHYS}$	COM-1 ²	Differential input hysteresis		50		mV
$RS422_{INPV}$	COM-2 ²	Receiver Input voltage range	0		4	V
$RS422_{OUTDIFF}$		Differential output voltage, RT = 100 Ω	± 2.0			V
$RS422_{OUTCM}$		Output common mode voltage, RT = 100 Ω			3	V
$CAN1-P_{OUT}$	CAN	CANH bus output voltage dominant	2.15	2.9	3.3	V
$CAN1-N_{OUT}$	COM-1 ³	CANL bus output voltage dominant	0.5	0.9	1.65	V
$CAN1_{OUTDIFF}$	COM-2 ³	Differential output voltage recessive, no RT	-0.5	0	0.05	V
$CAN1_{OUTCM}$		Common mode output voltage recessive and dominant, RT = 60 Ω	1.45	1.95	2.45	V
$CAN1_{INDIFF}$		Differential input threshold voltage	500		900	mV
$CAN1_{INHYS}$		Differential input hysteresis		150		mV
$CAN1_{INCM}$		Input common mode voltage			± 25	V

Note 1: In- and output lines are equipped with ESD protection to withstand ± 25 kV and comply with IEC 61000-4-2 level 4.

Note 2: The RS422 input on COM-1 and COM-2 is equipped with 120 Ω differential termination between RS422-RX-P and RS422-RX-N terminals (see Figure 5-1). For failsafe operation the differential input is equipped with a resistive divider network to terminate the input of the RS422 transceiver when nothing is connected. The resistive network consists of a 390 Ω pullup via a schottky diode to 3.3V supply and a 390 Ω pulldown to GND. In- and out-put lines are equipped with ESD protection to withstand ± 15 kV and comply with IEC 61000-4-2 level 4.

Note 3: The CAN1 port on COM-1 and COM-2 is without any differential termination between CAN1-P and CAN1-N terminals. Differential termination will have to be fitted externally at the outer ends of the CAN network. The inputs can withstand up to ± 25 kV HBM.

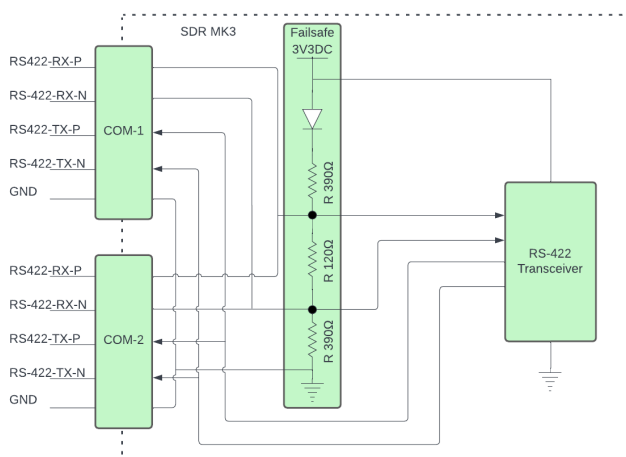


Figure 5-1 RS-422 COM-1 and COM-2 interface.

5.2 ANT2150-DUP Power Supply

Symbol	Connector	Parameter	Min	Typ	Max	Unit
V_{IN}	S-PWR	Supply voltage	8		18	V
I_{IN}		Supply current ¹			1.5	A
$V_{ABBON-HIGH}$		ABBON high level = Antenna is ON	2.5		18	V
$V_{ABBON-LOW}$		ABBON high level = Antenna is OFF	0		0.4	V
I_{ABBON}		ABBON input current 8-18V	0.06		0.8	mA

Note 1: V_{IN} input sees about 2.2 μ F input capacitance, and additional 10 μ F when ABBON is asserted.

5.3 ANT8250 Power Supply

V_{COM} shall be supplied from a regulated supply and applied prior to or at the same time as V_{BAT} .

Symbol	Connector	Parameter	Min	Typ	Max	Unit
V_{BAT}	X-PWR	Frontend supply voltage	12		32	V
I_{BAT}		Frontend supply current ¹			2	A
V_{COM}		Communication interface supply voltage	4.9	5.0	5.1	V
I_{COM}		Communication Interface supply current ²			1	A

Note 1: V_{BAT} input includes an EMI filter with about 30 μ F input capacitance. To protect the circuit inrush current should be limited to 2A.

Note 2: V_{COM} input includes an EMI filter with about 45 μ F input capacitance. To protect the circuit inrush current should be limited to 1A.

5.4 System Power Consumption

Power consumption is defined for three modes of operation:

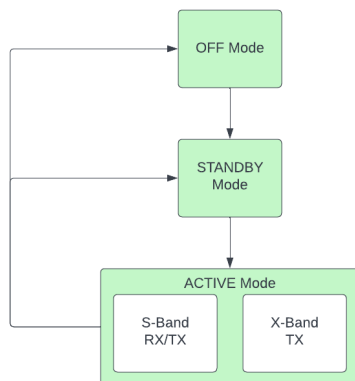


Figure 5-2: Modes of operation.

The modes are defined as:

- OFF Mode : All supply voltages are present except for V_{SDR} which is powered OFF.
- STANDBY Mode : All supply voltages are present. SDR build has booted and is in idle waiting for commands on the control interface.
- ACTIVE Mode : All supply voltages are present. S-Band or/and X-Band RF links are active.

The power consumption of the different modes is specified in Table 5-3 to Table 5-7 for NanoCom Link S, X and SX.

5.4.1 NanoCom Link S Power Consumption

Typical values are expected average power consumption at +25°C. Min. and Max. are worst case power consumption across modulation, symbol rate, power level, frequency, and temperature extremes. The return loss of the antenna is assumed to be -10dB or better.

Mode	Module	Net	VDC	Min	Typ	Max	Unit
OFF	SDR MK3	V _{SDR}	0	0.0	0.0	0.0	W
	ANT2150	V _{MAIN-2150}	8-18	0.1	0.1	0.3	W
STANDBY	SDR MK3	V _{SDR}	12-32	3.5	5.0	7.0	W
	ANT2150	V _{MAIN-2150}	8-18	0.1	0.1	0.3	W
ACTIVE	SDR MK3	V _{SDR}	12-32	5.0	6.3	9.0	W
	ANT2150	V _{MAIN-2150}	8-18	2.0	Refer to Table 5-2	15.0	W

Table 5-1: Power consumption specifications for NanoCom Link S.

Temperature	-30°C		+25°C		+55°C		Unit
TX PWR LVL	Min	Max	Min	Max	Min	Max	
0	2.8	4.1	3.1	4.0	3.1	3.9	W
1	2.9	4.4	3.2	4.2	3.3	4.2	W
2	3.1	4.7	3.3	4.5	3.4	4.4	W
3	3.3	5.1	3.5	4.8	3.6	4.7	W
4	4.6	6.7	4.7	6.3	4.7	6.1	W
5	4.9	7.1	5	6.7	5	6.4	W
6	5.1	7.6	5.4	7.1	5.3	6.8	W
7	5.5	8	5.8	7.6	5.7	7.1	W
8	7	10.4	7.3	9.7	7.2	9.2	W
9	7.5	10.8	7.8	10.1	7.6	9.6	W
10	7.7	11	8.4	10.6	8.1	10.1	W
11	8.3	11.4	9	10.9	8.7	10.5	W
12	9	11.6	9.5	11.1	9.2	10.7	W

Table 5-2: ANT2150 Power Consumption for Power Level 0 to 12, V_{MAIN-2150} = 8 to 18VDC.

5.4.2 NanoCom Link X Power Consumption

Typical values are expected average power consumption at +25°C. Min. and Max. are worst case power consumption across MODCOD, symbol rate, power level, frequency, and temperature extremes. The return loss of the antenna is assumed to be -10dB or better.

Mode	Module	Net	VDC	Min	Typ	Max	Unit
OFF	SDR MK3	V _{SDR}	0	0.0	0.0	0.0	W
	ANT8250	V _{MAIN-8250}	12-32	0.0	0.0	0.0	W
		V _{COM-8250}	5	0.4	0.6	1.0	W
STANDBY	SDR MK3	V _{SDR}	12-32	3.5	5.4	7.0	W
	ANT8250	V _{MAIN-8250}	12-32	0.0	0.0	0.0	W
		V _{COM-8250}	5	0.3	0.7	1.0	W
ACTIVE	SDR MK3	V _{SDR}	12-32	4.5	5.9	8.0	W
	ANT8250	V _{MAIN-8250}	12-32	5.0	Refer to Table 5-4 to Table 5-6	20.0	W
		V _{COM-8250}	5	2.0	2.4	3.0	W

Table 5-3: Power consumption specifications for NanoCom Link X.

Temperature		-30°C		+25°C		+55°C		Unit
MODCOD	V _{main-8250}	Min	Max	Min	Max	Min	Max	
1-23	12VDC	5.8	6.1	5.9	6.2	5.9	6.3	W
	28VDC	6.1	6.4	6.2	6.5	6.2	6.5	W
	32VDC	6.2	6.4	6.2	6.6	6.3	6.6	W
24-28	12VDC	9.2	9.3	9.2	9.3	9.2	9.3	W
	28VDC	9.6	9.7	9.6	9.7	9.6	9.7	W
	32VDC	9.6	9.7	9.6	9.7	9.6	9.7	W

Table 5-4: ANT8250 V_{MAIN-8250} Power Consumption Power Level 0

Temperature		-30°C		+25°C		+55°C		Unit
MODCOD	V _{main-8250}	Min	Max	Min	Max	Min	Max	
1-23	12VDC	7.5	8.7	7.6	8.9	7.7	8.9	W
	28VDC	7.9	9.1	8.0	9.3	8.0	9.3	W
	32VDC	8.0	9.2	8.1	9.3	8.1	9.4	W
24-28	12VDC	14.6	14.7	14.6	14.7	14.6	14.7	W
	28VDC	15.0	15.2	15.0	15.2	15.0	15.2	W
	32VDC	15.2	15.3	15.2	15.3	15.2	15.3	W

Table 5-5: ANT8250 V_{MAIN-8250} Power Consumption Power Level 1

Temperature		-30°C		+25°C		+55°C		Unit
MODCOD	V _{main-8250}	Min	Max	Min	Max	Min	Max	
1-28	12VDC	12.9	15.0	12.9	15.0	12.9	14.9	W
	28VDC	13.4	15.5	13.5	15.4	13.4	15.4	W
	32VDC	13.5	15.6	13.5	15.6	13.5	15.5	W

Table 5-6: ANT8250 V_{MAIN-8250} Power Consumption Power Level 2

5.4.3 NanoCom Link SX Power Consumption

Typical values are expected average power consumption at +25°C. Min. and Max. are worst case power consumption across modulation, symbol rate, MODCOD, power level, frequency, and temperature extremes. The return loss of the antenna is assumed to be -10dB or better.

Mode	Module	Net	VDC	Min	Typ	Max	Unit
OFF	SDR MK3	V _{SDR}	0	0.0	0.0	0.0	W
	ANT2150	V _{MAIN-2150}	8-18	0.1	0.1	0.3	W
	ANT8250	V _{MAIN-8250}	12-32	0.0	0.0	0.0	W
		V _{COM-8250}	5	0.4	0.6	1.0	W
STANDBY	SDR MK3	V _{SDR}	12-32	4.5	6.1	7.5	W
	ANT2150	V _{MAIN-2150}	8-18	0.1	0.1	0.3	W
	ANT8250	V _{MAIN-8250}	12-32	0.0	0.0	0.0	W
		V _{COM-8250}	5	0.3	0.7	1.0	W
ACTIVE	SDR MK3	V _{SDR}	12-32	5.0	8.1	10.2	W
	ANT2150	V _{MAIN-2150}	8-18	2.0	Refer to Table 5-2	16.0	W
	ANT8250	V _{MAIN-8250}	12-32	5.0	Refer to Table 5-4 to Table 5-6	20.0	W
		V _{COM-8250}	5	2.0	2.4	3.0	W

Table 5-7: Power consumption specifications for NanoCom Link SX.

6 RF Performance Characteristics

All performance parameters listed in this section refer to the RF output of AFE2150 or AFE8250.

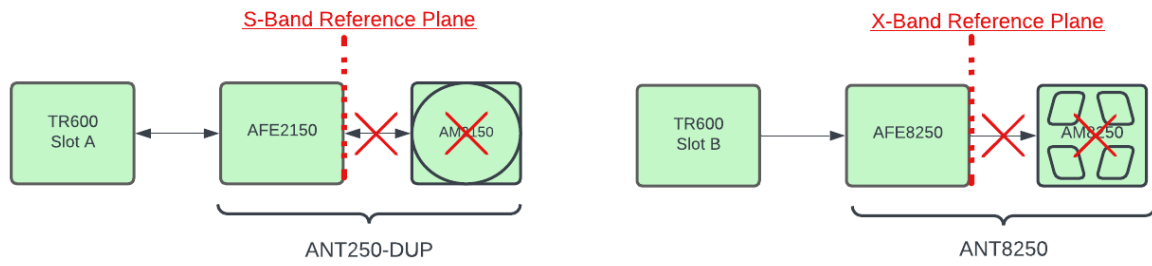


Figure 6-1: Reference plane RF performance characteristics.

6.1 S-Band Receiver

Unless otherwise stated the listed data is valid for BPSK and QPSK modulation, all temperatures, and supply voltages.

Symbol	Description	Min.	Typ.	Max.	Unit
RX_{FREQ}¹	RX Frequency Range	2025		2110	MHz
RX_{SYM}	RX symbol rate	1.0		7.5	MBd
RX_{BIT_BPSK}²	RX bit rate BPSK	1.0		7.5	Mbit/s
RX_{BIT_QPSK}²	RX bit rate QPSK	2.0		15	Mbit/s
RX_{Pull_In}³	RX frequency pull-in range QPSK			$\pm RX_{SYM}/32$	MHz
	RX frequency pull-in range BPSK			$\pm RX_{SYM}/8$	MHz
RX_{Input_Level}	Maximum input level			-40.0	dBm
RX_{RSSI_Step}	RSSI step size		0.25		dB
RX_{Noise_Figure}	System noise figure, $RX_{Input_Level} \leq -90\text{dBm}$, $T_{AMB} = +25^{\circ}\text{C}$		2.1	2.6	dB
	System noise figure, $RX_{Input_Level} \leq -90\text{dBm}$, $T_{AMB} = -40^{\circ}\text{C}$ to $+55^{\circ}\text{C}$			3.1	dB
RX_{Sens_Level}⁴	BPSK 1.0MBd, CC+RS coded, $BER \leq 10^{-6}$		-111.5		dBm
	BPSK 2.0MBd, CC+RS coded, $BER \leq 10^{-6}$		-108.5		dBm
	BPSK 4.0MBd, CC+RS coded, $BER \leq 10^{-6}$		-105.5		dBm
	BPSK 7.5MBd, CC+RS coded, $BER \leq 10^{-6}$		-103.0		dBm
	QPSK 1.0MBd, CC+RS coded, $BER \leq 10^{-6}$		-108.5		dBm
	QPSK 2.0MBd, CC+RS coded, $BER \leq 10^{-6}$		-105.5		dBm
	QPSK 4.0MBd, CC+RS coded, $BER \leq 10^{-6}$		-102.5		dBm
	QPSK 7.5MBd, CC+RS coded, $BER \leq 10^{-6}$		-100.0		dBm
RX_{FREQ_INIT}	Initial RX frequency error vs temperature	-6.0		+6.0	PPM
RX_{FREQ_AGE}	RX frequency error due to aging	-2.0		+2.0	PPM

Table 6-1: S-Band receiver characteristics.

Note 1: Effective RX frequency range which must cover $RX_{SYM}/2$ of the received signal. E.g., for a RX symbol rate of 2MBd the lowest supported RX center frequency is 2026MHz and the highest supported RX center frequency is 2109MHz.

Note 2: Uncoded bit rate. Actual throughput is depending on coding and signalling overhead. Refer to section 8.2 for further information on achievable throughput.

Note 3: Minimum pull-in range is: QPSK = $1.0\text{MBd}/32 = 31.2\text{kHz}$ @ 2067MHz = +/- 15PPM.
 BPSK = $1.0\text{MBd}/8 = 125.0\text{kHz}$ @ 2067MHz = +/- 60PPM.

Note 4: Input level where $BER \leq 10^{-6}$ at $T_{AMB} = +25^{\circ}\text{C}$. Bits are concatenated coded according to CCSDS 131.0-B-4 standard, with rate $1/2$ convolutional inner code and Reed-Solomon (255,223) outer code, with an interleaving dept of 8 blocks. Refer to Figure 6-4 for further information on BER performance.

6.1.1 RX RSSI Reporting

RX RSSI reporting is a relative figure which presents the level of the received signal in dB. The figure can be used to monitor received signal levels throughout a mission. RSSI is not production calibrated or compensated. Any system related deviation on RX gain is included in the reporting.

Typical RSSI reporting versus input level at $RX_{FREQ} = 2067\text{MHz}$ and 2.0MBd symbol rate.

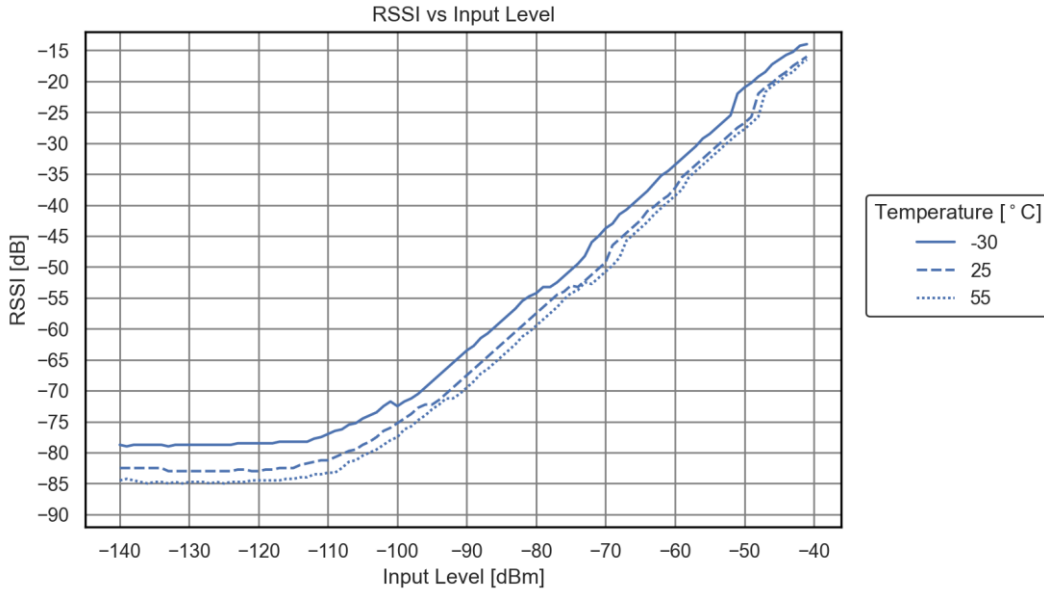


Figure 6-2: Typical RSSI reporting vs RX input level.

Typical RSSI reporting versus frequency for a fixed input level of -60dBm and -80dBm.

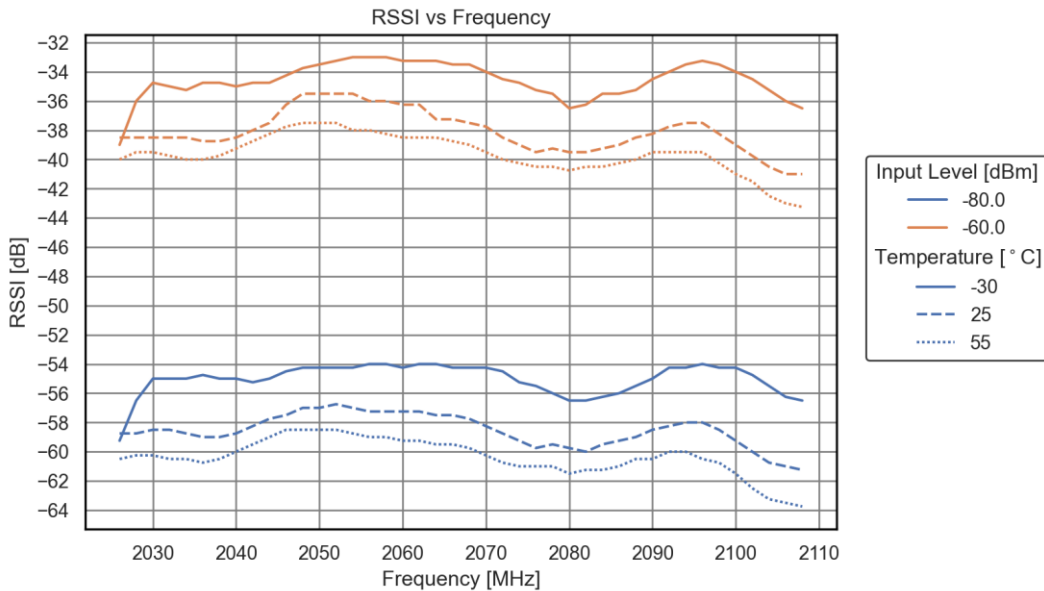


Figure 6-3: Typical RSSI reporting for a fixed RX input level.

6.1.2 RX Sensitivity

Typical receiver sensitivity at $RX_{FREQ} = 2067\text{MHz}$ and $T_{AMB} = +25^\circ\text{C}$ versus input level, for different symbol rates and modulation. Bits are concatenated coded according to CCSDS 131.0-B-4 standard, with rate $\frac{1}{2}$ convolutional inner code and Reed-Solomon (255,223) outer code, with an interleaving depth of 8 blocks.

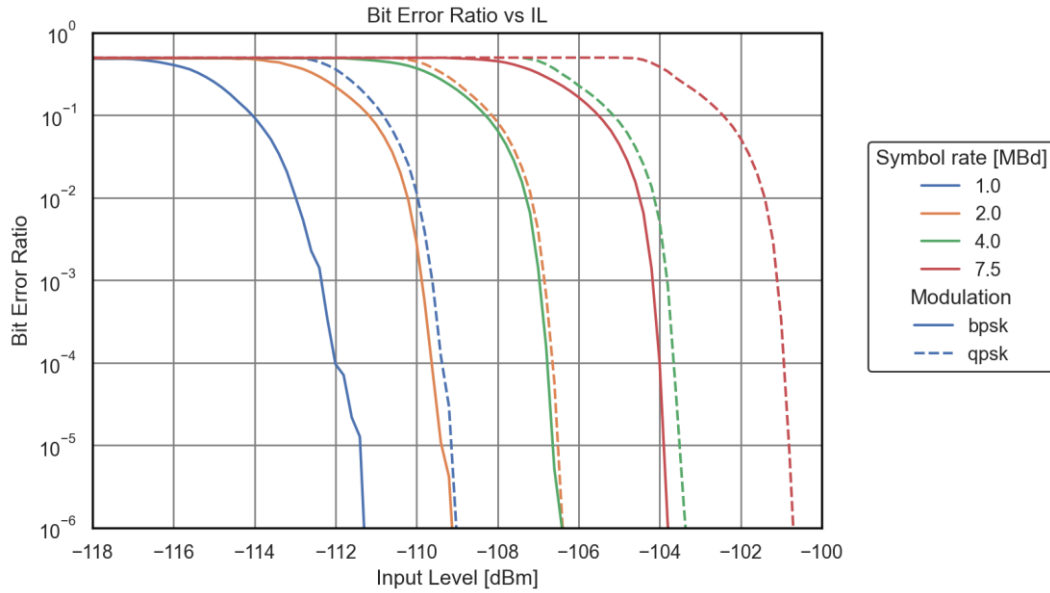


Figure 6-4: Typical BER vs RX input level at $RX_{FREQ} = 2067\text{MHz}$ and $T_{AMB} = +25^\circ\text{C}$.

6.2 S-Band Transmitter

The S-Band transmitter has thirteen power level settings, 0 to 12, for controlling the RF output power. Unless otherwise stated the listed data is valid for BPSK and QPSK modulation, all supported symbol rates, temperatures, and supply voltages.

Symbol	Description	Min.	Typ.	Max.	Unit
TX_{FREQ}¹	TX Frequency Range	2200		2290	MHz
TX_{SYM}	TX symbol rate	0.5		7.5	MBd
TX_{BIT_BPSK}²	TX bit rate BPSK	0.5		7.5	Mbit/s
TX_{BIT_QPSK}²	TX bit rate QPSK	1.0		15	Mbit/s
TX_{Pout_Nom}³	Nominal TX PWR LVL 0 to 12 range	20.0		31.5	dBm
TX_{Pout_Step}³	TX PWR LVL 0 to 12 step size	0.5	1	1.5	dB
TX_{Pout_Freq}³	Frequency variation TX PWR LVL 12	-2		1	dB
TX_{Pout_Temp}³	Temperature variation TX PWR LVL 12	-1		1	dB
TX_{OCB_BW}	99% Occupied BW, 0.5MBd		0.6		MHz
	99% Occupied BW, 2.0MBd		2.2		MHz
	99% Occupied BW, 7.5MBd		8.3		MHz
TX_{SEM_MARGIN}⁴	QPSK OoB Margin, Power level 12	1.0	2.0		dB
	QPSK OoB Margin, Power level 11	2.0	4.0		dB
	QPSK OoB Margin, Power level 10	4.0	6.0		dB
	BPSK OoB Margin, Power level 10	1.0	2.0		dB
	BPSK OoB Margin, Power level 9	2.0	4.0		dB
	BPSK OoB Margin, Power level 8	4.0	6.0		dB
TX_{SPUR_EM}⁵	TX spurious emission			-15	dBm
TX_{EVM}	QPSK RMS EVM, Power level 12		-23	-16	dB
	QPSK RMS EVM, Power level 11		-24	-17	dB
	QPSK RMS EVM, Power level 10		-25	-18	dB
	BPSK RMS EVM, Power level 10		-24	-16	dB
	BPSK RMS EVM, Power level 9		-25	-17	dB
	BPSK RMS EVM, Power level 8		-26	-18	dB
TX_{FREQ_INIT}	Initial TX frequency error vs temperature	-6.0		+6.0	PPM
TX_{FREQ_AGE}	TX frequency error due to aging	-2.0		+2.0	PPM

Table 6-2: S-Band transmitter characteristics.

Note 1: Effective TX frequency range which must cover $TX_{SYM}/2$ of the transmitted signal. E.g., for a TX symbol rate of 4MBd the lowest supported TX center frequency is 2202MHz and the highest supported TX center frequency is 2288MHz.

Note 2: The actual throughput is depending on coding and signalling overhead. Refer to section 8.2 for further information on achievable throughput.

Note 3: Refer to Table 6-3 for further details on S-Band TX RF output power characteristics and ITU Out of Band spectrum emission compliance.

Note 4: Minimum spectrum emission margin according to ITU-R SM.1541 Figure 16, refer to section 6.2.3 for typical performance. Performance is optimized to fulfil the spectrum mask requirements, while keeping the power consumption as small as possible.

Note 5: TX spurious emission according to ITU-R SM.329.

6.2.1 TX Channel Power

Typical channel power measurement versus frequency for different conditions.

TX PWR LVL	Conditions	ITU OOB Comp		Min.	Typ.	Max.	Unit
		BPSK	QPSK				
12	Nominal	Red. ¹	Full		31.7		dBm
	Extreme			-1.1		1.7	dB
11	Nominal	Red. ¹	Full		31.2		dBm
	Extreme			-1.6		2.0	dB
10	Nominal	Full	Full		30.6		dBm
	Extreme			-1.9		2.2	dB
9	Nominal	Full	Full		29.8		dBm
	Extreme			-1.4		2.8	dB
8	Nominal	Full	Full		29.1		dBm
	Extreme			-1.6		2.9	dB
7	Nominal	Full	Full		27.7		dBm
	Extreme			-1.7		3.2	dB
6	Nominal	Full	Full		26.6		dBm
	Extreme			-1.5		3.5	dB
5	Nominal	Full	Full		25.4		dBm
	Extreme			-1.4		4.0	dB
4	Nominal	Full	Full		24.6		dBm
	Extreme			-1.6		3.9	dB
3	Nominal	Full	Full		23.3		dBm
	Extreme			-1.8		4.2	dB
2	Nominal	Full	Full		22.1		dBm
	Extreme			-1.9		4.5	dB
1	Nominal	Full	Full		21.0		dBm
	Extreme			-1.9		4.6	dB
0	Nominal	Full	Full		20.1		dBm
	Extreme			-2.0		4.3	dB

Table 6-3: Typical S-Band TX RF output power characteristics and ITU Out of Band compliance vs TX PWR LVL setting.

Nominal conditions: Typical Pout TX_{FREQ=2245MHz}, T_{AMB} = +25°C, V_{MAIN-2150} = 12VDC all supported symbol rates and modulation.

Extreme conditions: Minimum and maximum recorded Pout across TX frequency, temperature, supply voltage, symbol rate and modulation

Note 1: ITU Out of Band compliance according to ITU-R SM.1541 Figure 16 may be reduced under certain temperatures and frequencies due to spectral regrowth at TX PWR LVL 12 and 11 with BPSK modulation.

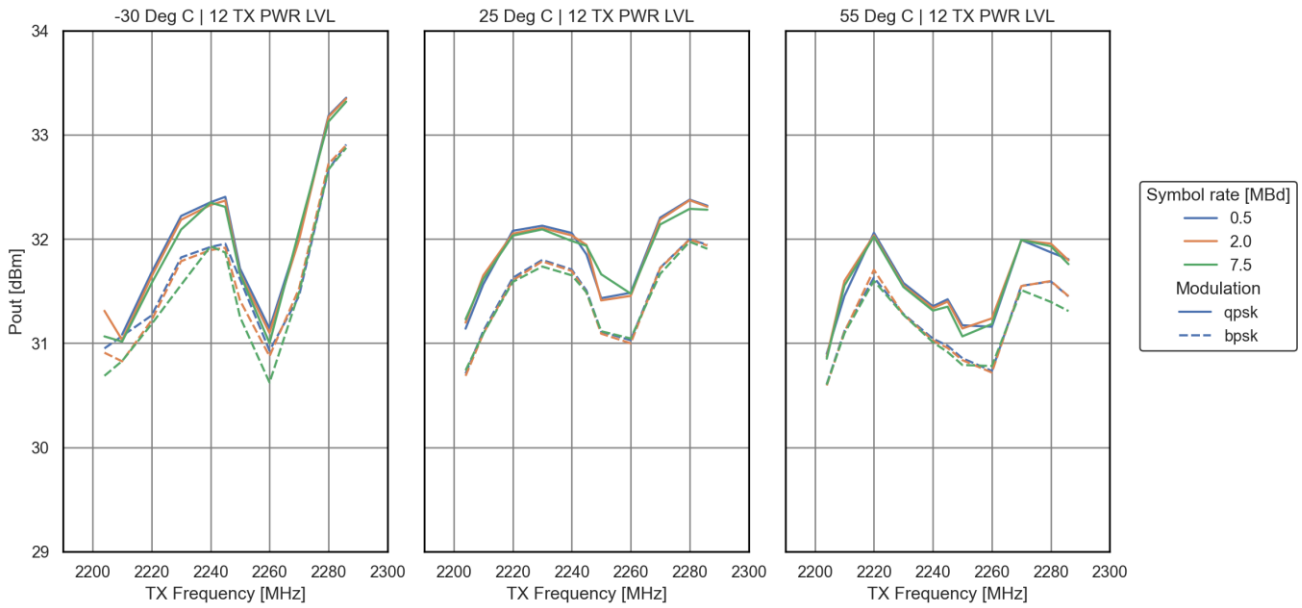


Figure 6-5: Typical channel power vs frequency at TX PWR LVL 12, $V_{MAIN-2150} = 12VDC$.

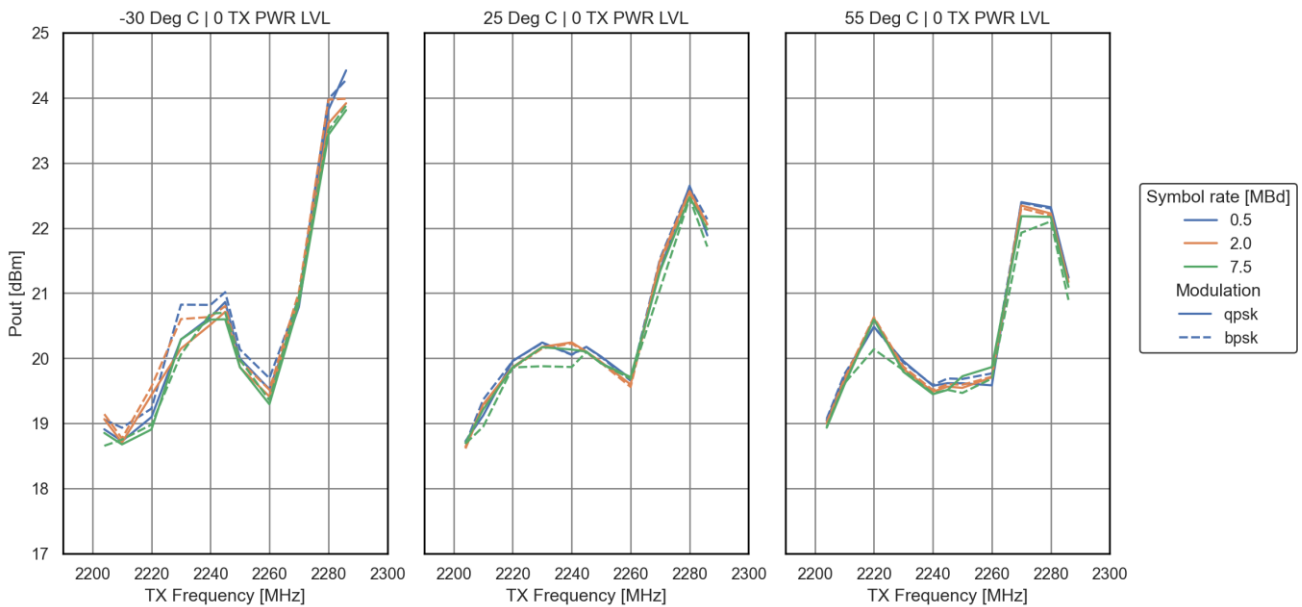


Figure 6-6: Typical channel power vs frequency at TX PWR LVL 0, $V_{MAIN-2150} = 12VDC$.

6.2.2 TX Occupied Bandwidth

Typical TX occupied bandwidth vs symbol rate and power level. Data is measured across frequency, temperature, and supply voltage. The occupied bandwidth is the bandwidth within which 99% of a measured power trace is contained.

Symbol Rate [MHz]	Modulation	TX PWR LVL	Min.	Typ.	Max.	Unit
0.5	BPSK	8	0.5	0.5	0.6	MHz
		9	0.5	0.5	0.7	MHz
		10	0.5	0.6	0.8	MHz
	QPSK	10	0.5	0.5	0.6	MHz
		11	0.5	0.5	0.7	MHz
		12	0.5	0.6	0.8	MHz
2.0	BPSK	8	2.1	2.2	2.3	MHz
		9	2.1	2.2	2.7	MHz
		10	2.1	2.2	3.1	MHz
	QPSK	10	2.1	2.2	2.4	MHz
		11	2.1	2.2	2.8	MHz
		12	2.1	2.2	3.3	MHz
7.5	BPSK	8	8	8.1	8.6	MHz
		9	8	8.2	9.2	MHz
		10	8	8.2	10.8	MHz
	QPSK	10	8	8.1	8.7	MHz
		11	8	8.2	9.8	MHz
		12	8	8.3	11.9	MHz

Table 6-4: Typical TX occupied bandwidth.

6.2.3 TX Spectral Emission Mask

Typical spectral emissions across frequency for different symbol rates and temperatures in the out-of-band domain. Trace axes are normalized to directly compare against the spectrum mask from ITU-R SM.1541 Figure 16.

Out of band domain is defined as the area from the necessary bandwidth until +/-2.5 times the necessary bandwidth. Necessary bandwidth is defined in ITU RR-2020-Vol.I section 1.152. The bandwidth used in the NanoCom Link S QPSK receiver is set to 1.2 times the symbol rate and is the necessary bandwidth for adequate link performance.

All measurements plots are with $V_{MAIN-2150} = 12VDC$ at $T_{AMB} = +25^{\circ}C$.

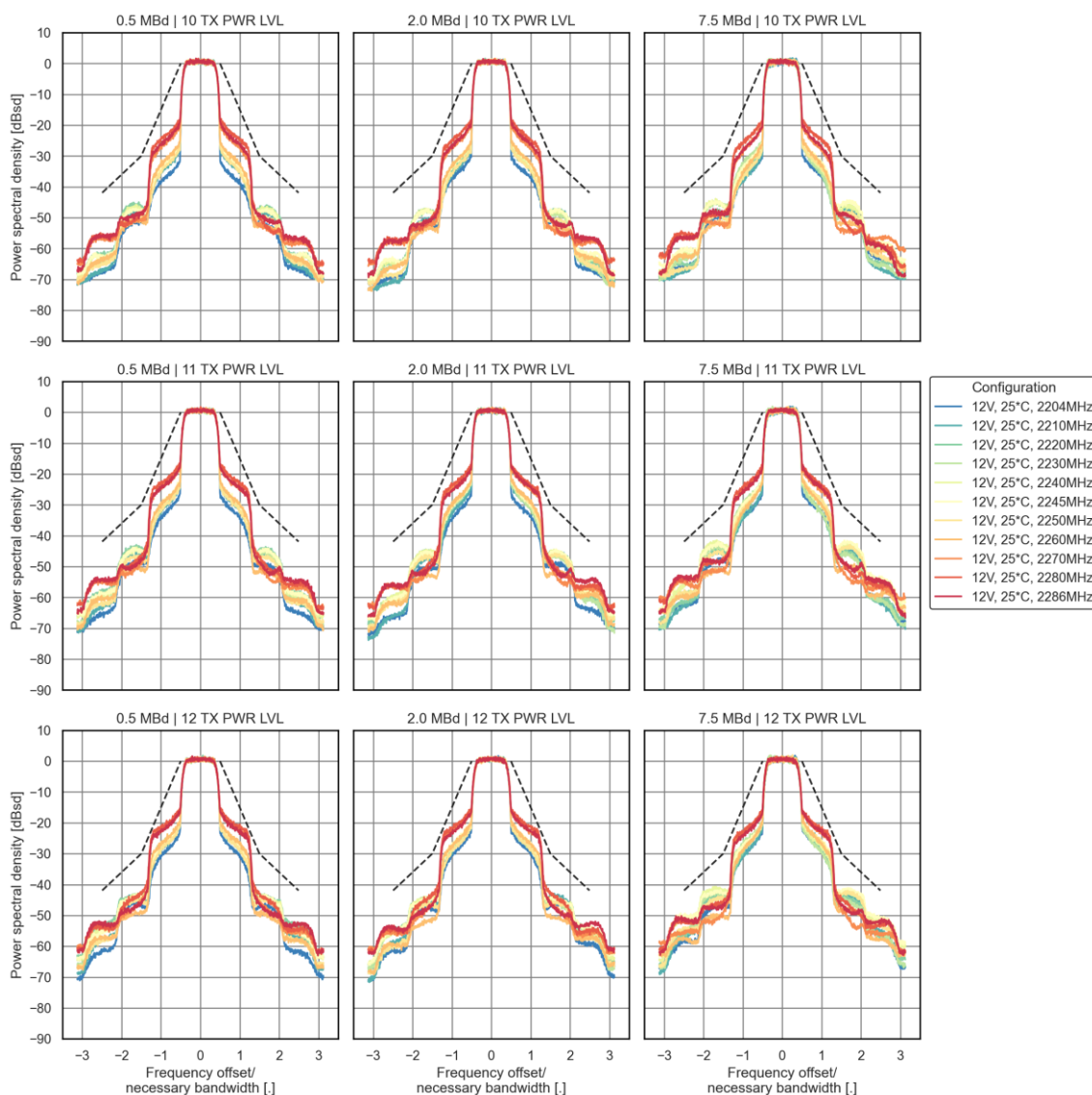


Figure 6-7: Typical spectral emission QPSK, TX PWR LVL 10, 11 and 12.

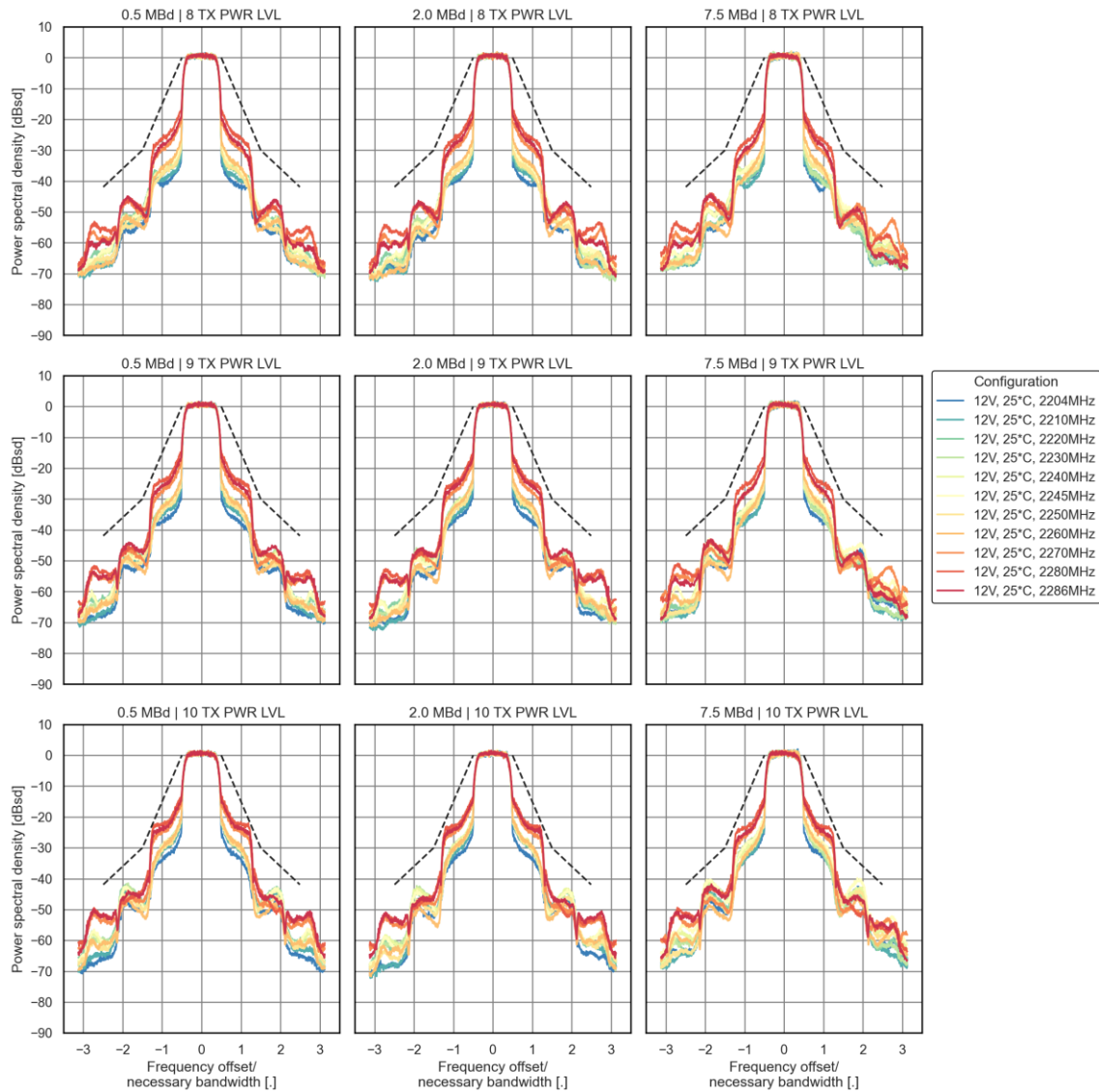


Figure 6-8: Typical spectral emission BPSK, TX PWR LVL 8, 9 and 10.

6.2.4 TX Spurious Emission

Typical spurious emissions at TX_{FREQ}=2245MHz for TX PWR LVL 10, 11 and 12 with QPSK and BPSK Modulation.

The spurious limit is from ITU-R SM.329. For the supported power levels, the spurious limit is fixed to -13dBm. The spurious domain is the area outside the 2.5 times the necessary bandwidth, where necessary bandwidth is defined as 1.2 times the symbol rate. Each trace represents the maximum level recorded at T_{AMB} = -30°C, +25°C and +55°C.

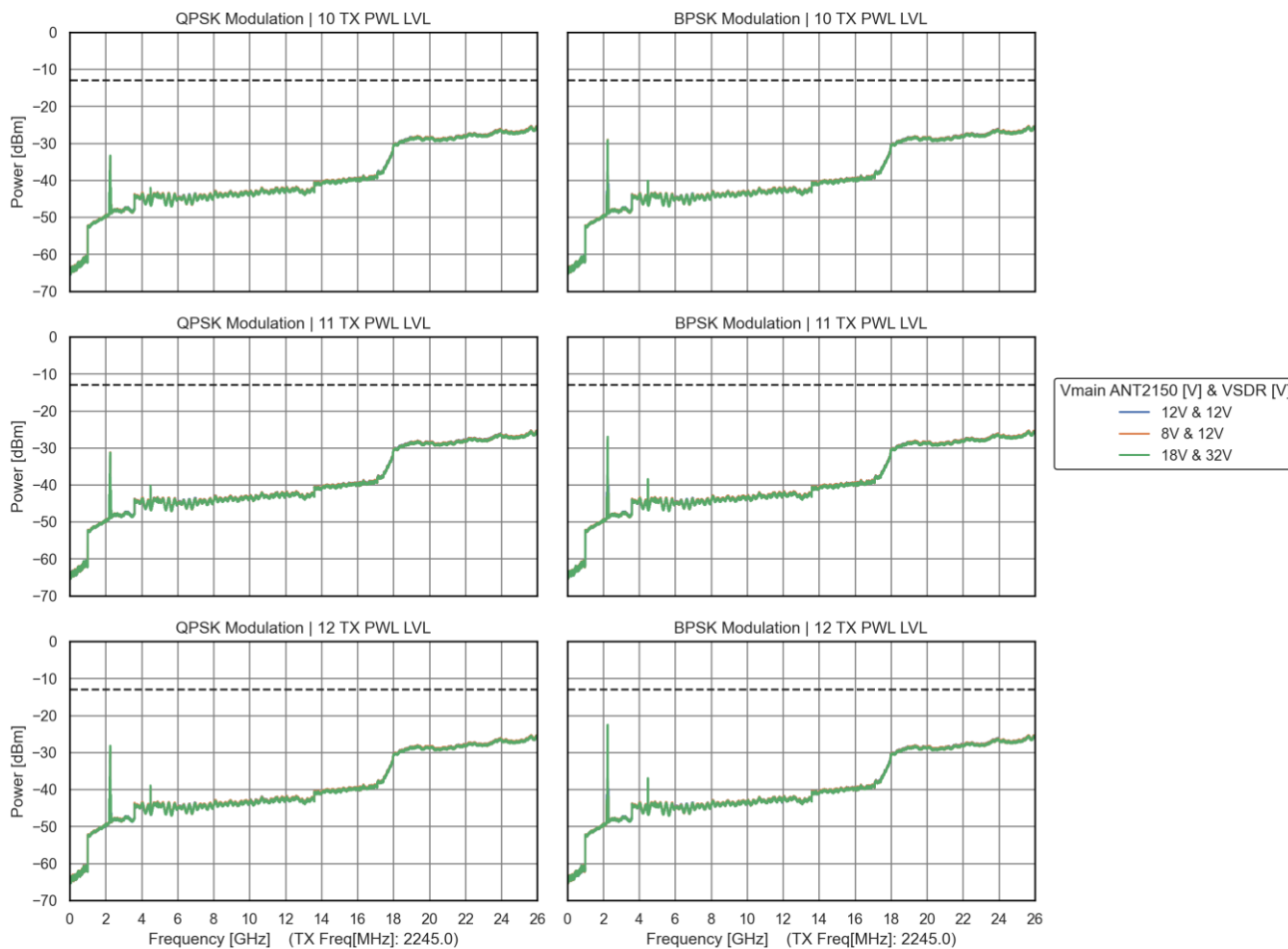


Figure 6-9: Typical spurious emission across extreme conditions.

6.3 X-Band Transmitter

Unless otherwise stated the listed data is valid for all MODCODs, symbol rates, temperatures, and supply voltages in the standard configuration without the DSN filter kit. A detailed overview of the supported MODCODs and symbol rates are available in Table 6-6.

Symbol	Description	Min.	Typ.	Max.	Unit
TXFREQ	TX Frequency Range	8000		8400	MHz
TXSYM	TX symbol rate	2		50	MBd
TXBIT¹	TX bit rate (Max limited by variant)	1		225	Mbit/s
TXPWR_LVL2	Power level 2, T _{AMB} = +25°C	32.0	33.0	34.0	dBm
	Power level 2, T _{AMB} = -40°C to +55°C	31.5		34.5	dBm
TXPWR_LVL1	Power level 1, T _{AMB} = +25°C	29.0	30.0	31.0	dBm
	Power level 1, T _{AMB} = -40°C to +55°C	28.5		31.5	dBm
TXPWR_LVL0	Power level 0, T _{AMB} = +25°C	26.0	27.0	28.0	dBm
	Power level 0, T _{AMB} = -40°C to +55°C	25.5		28.5	dBm
TXOCP_BW	99% Occupied BW, 2MBd		2.2		MHz
	99% Occupied BW, 30MBd		32.8		MHz
	99% Occupied BW, 50MBd		53.3		MHz
TXSEM_MARGIN²	Power level 2, T _{AMB} = +25°C	3.4	5.7	9.6	dB
	Power level 2, T _{AMB} = -40°C to +55°C	2.5			dB
	Power level 1, T _{AMB} = +25°C	4.6	6.8	9.9	dB
	Power level 1, T _{AMB} = -40°C to +55°C	2.5			dB
	Power level 0, T _{AMB} = +25°C	1.4	7.6	9.5	dB
	Power level 0, T _{AMB} = -40°C to +55°C	0.3			dB
TXSPUR_EM³	TX spurious emission			-15	dBm
TXEVM	RMS EVM, Power level 2, 30MBd, MODCOD 1-23		-22.0	-18	dB
	RMS EVM, Power level 2, 30MBd, MODCOD 24-28		-20.0	-15	dB
	RMS EVM, Power level 1, 30MBd, MODCOD 1-28		-23.0	-19	dB
	RMS EVM, Power level 0, 30MBd, MODCOD 1-28		-24.0	-20	dB
TXFREQ_INIT	Initial TX frequency error vs temperature	-2.0		+2.0	PPM
TXFREQ_AGE	TX frequency error due to aging	-2.0		+2.0	PPM

Table 6-5: X-Band transmitter characteristics.

Note 1: The maximum bit rate is depending on the purchased variant of the NanoCom Link product. The following maximum bitrates are available: 50Mbit/sec, 150Mbit/sec, 225Mbit/sec.

Note 2: Minimum spectrum emission margin according to ITU-R SM.1541 Figure 16, refer to section 6.3.3 for typical performance. Performance is optimized to fulfil the spectrum mask requirements, while keeping the power consumption as small as possible.

Note 3: TX spurious emission according to ITU-R SM.329.

MODCOD No	Modulation	Code Rate	Bit Rate [Mbit/s]		Symbol Rate [MBd]	
			Min	Max	Min	Max
1	QPSK	1/4	1.0	25.0	2	50
2	QPSK	1/3	1.3	33.3	2	50
3	QPSK	2/5	1.6	40.0	2	50
4	QPSK	1/2	2.0	50.0	2	50
5	QPSK	3/5	2.4	60.0	2	50
6	QPSK	2/3	2.7	66.7	2	50
7	QPSK	3/4	3.0	75.0	2	50
8	QPSK	4/5	3.2	80.0	2	50
9	QPSK	5/6	3.3	83.3	2	50
10	QPSK	8/9	3.6	88.9	2	50
11	QPSK	9/10	3.6	90.0	2	50
12	8PSK	3/5	3.6	90.0	2	50
13	8PSK	2/3	4.0	100.0	2	50
14	8PSK	3/4	4.5	112.5	2	50
15	8PSK	5/6	5.0	125.0	2	50
16	8PSK	8/9	5.3	133.3	2	50
17	8PSK	9/10	5.4	135.0	2	50
18	16APSK	2/3	5.3	133.3	2	50
19	16APSK	3/4	6.0	150.0	2	50
20	16APSK	4/5	6.4	160.0	2	50
21	16APSK	5/6	6.7	166.7	2	50
22	16APSK	8/9	7.1	177.8	2	50
23	16APSK	9/10	7.2	180.0	2	50
24	32APSK	3/4	7.5	187.5	2	50
25	32APSK	4/5	6.0	200.0	2	50
26	32APSK	5/6	8.3	208.3	2	50
27	32APSK	8/9	8.9	222.2	2	50
28	32APSK	9/10	9.0	225.0	2	50

Table 6-6: Supported MODCODs and symbol rates.

The 225Mbit/s variant of the product supports a symbol rate of 2MBd to 50MBd. For the 50Mbit/s and 150Mbit/s variants the maximum configurable symbol rate is limited on certain MODCOD configurations, refer to Table 6-7 for further information for maximum configurable symbol rate and resulting bit rate for the different variants.

MODCOD No	50Mbit/s Variant		150Mbit/s Variant		225Mbit/s Variant	
	Max Symbol Rate [MBd]	Bit Rate [Mbit/s]	Max Symbol Rate [MBd]	Bit Rate [Mbit/s]	Max Symbol Rate [MBd]	Bit Rate [Mbit/s]
1	50.0	25.0	50.0	25.0	50.0	25.0
2	50.0	33.3	50.0	33.3	50.0	33.3
3	50.0	40.0	50.0	40.0	50.0	40.0
4	50.0	50.0	50.0	50.0	50.0	50.0
5	41.7	50.0	50.0	60.0	50.0	60.0
6	37.5	50.0	50.0	66.7	50.0	66.7
7	33.3	50.0	50.0	75.0	50.0	75.0
8	31.2	49.9	50.0	80.0	50.0	80.0
9	30.0	50.0	50.0	83.3	50.0	83.3
10	28.1	50.0	50.0	88.9	50.0	88.9
11	27.8	50.0	50.0	90.0	50.0	90.0
12	27.8	50.0	50.0	90.0	50.0	90.0
13	25.0	50.0	50.0	100.0	50.0	100.0
14	22.2	50.0	50.0	112.5	50.0	112.5
15	20.0	50.0	50.0	125.0	50.0	125.0
16	18.8	50.1	50.0	133.3	50.0	133.3
17	18.5	50.0	50.0	135.0	50.0	135.0
18	18.8	50.1	50.0	133.3	50.0	133.3
19	16.7	50.1	50.0	150.0	50.0	150.0
20	15.6	49.9	46.9	150.1	50.0	160.0
21	15.0	50.0	45.0	150.0	50.0	166.7
22	14.1	50.1	42.2	150.0	50.0	177.8
23	13.9	50.0	41.7	150.1	50.0	180.0
24	13.3	49.9	40.0	150.0	50.0	187.5
25	12.5	50.0	37.5	150.0	50.0	200.0
26	12.0	50.0	36.0	150.0	50.0	208.3
27	11.2	49.8	33.8	150.2	50.0	222.2
28	11.1	50.0	33.3	149.9	50.0	225.0

Table 6-7: Maximum supported symbol rate and bit rate vs MODCODs for different variants.

6.3.1 TX Channel Power

Typical channel power measurement versus frequency for different symbol rates, MODCODs, and temperature at $V_{MAIN-8250} = 12VDC$.

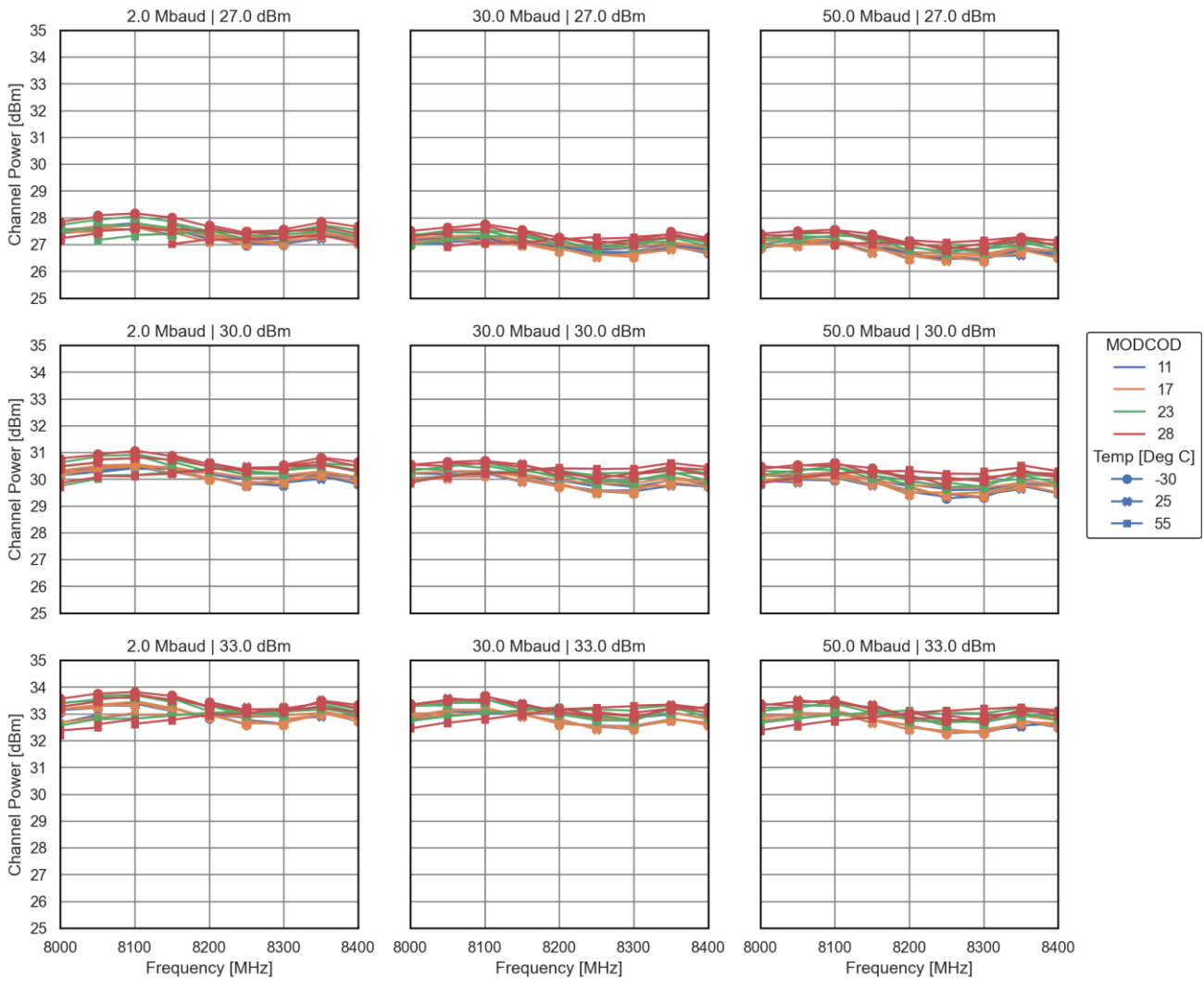


Figure 6-10: Typical channel power vs frequency.

6.3.2 TX Occupied Bandwidth

Typical TX occupied bandwidth vs symbol rate and power level. Data is measured across frequency, temperature, MODCOD, and supply voltage. The occupied bandwidth is the bandwidth within which 99% of a measured power trace is contained.

Symbol Rate [MHz]	Power Level	Min.	Typ.	Max.	Unit
2	0 (27dBm)	2.2	2.2	2.2	MHz
	1 (30dBm)	2.2	2.3	2.2	MHz
	2 (33dBm)	2.2	2.2	2.3	MHz
30	0 (27dBm)	32.2	32.4	32.4	MHz
	1 (30dBm)	32.4	32.9	33.3	MHz
	2 (33dBm)	32.6	33.3	34.2	MHz
50	0 (27dBm)	51.8	52.5	52.5	MHz
	1 (30dBm)	52.5	53.3	54.0	MHz
	2 (33dBm)	52.5	54.0	56.3	MHz

Table 6-8: Typical TX occupied bandwidth.

6.3.3 TX Spectral Emission Mask

Typical spectral emissions across frequency for different symbol rates, MODCODs, and temperatures in the out-of-band domain. Trace axes are normalized to directly compare against the spectrum mask from ITU-R SM.1541 Figure 16.

Out of band domain is defined as the area from the necessary bandwidth until +/-2.5 x the necessary bandwidth. The necessary bandwidth is defined as 1.111 times the symbol rate which is the occupied bandwidth of the ETSI DVB-S2 upper spectrum mask with a roll-off factor of 0.2.

All measurements plots are with $V_{MAIN-8250} = 12VDC$. Results obtained with $V_{MAIN-8250} = 28$ and $32VDC$ show similar performance.

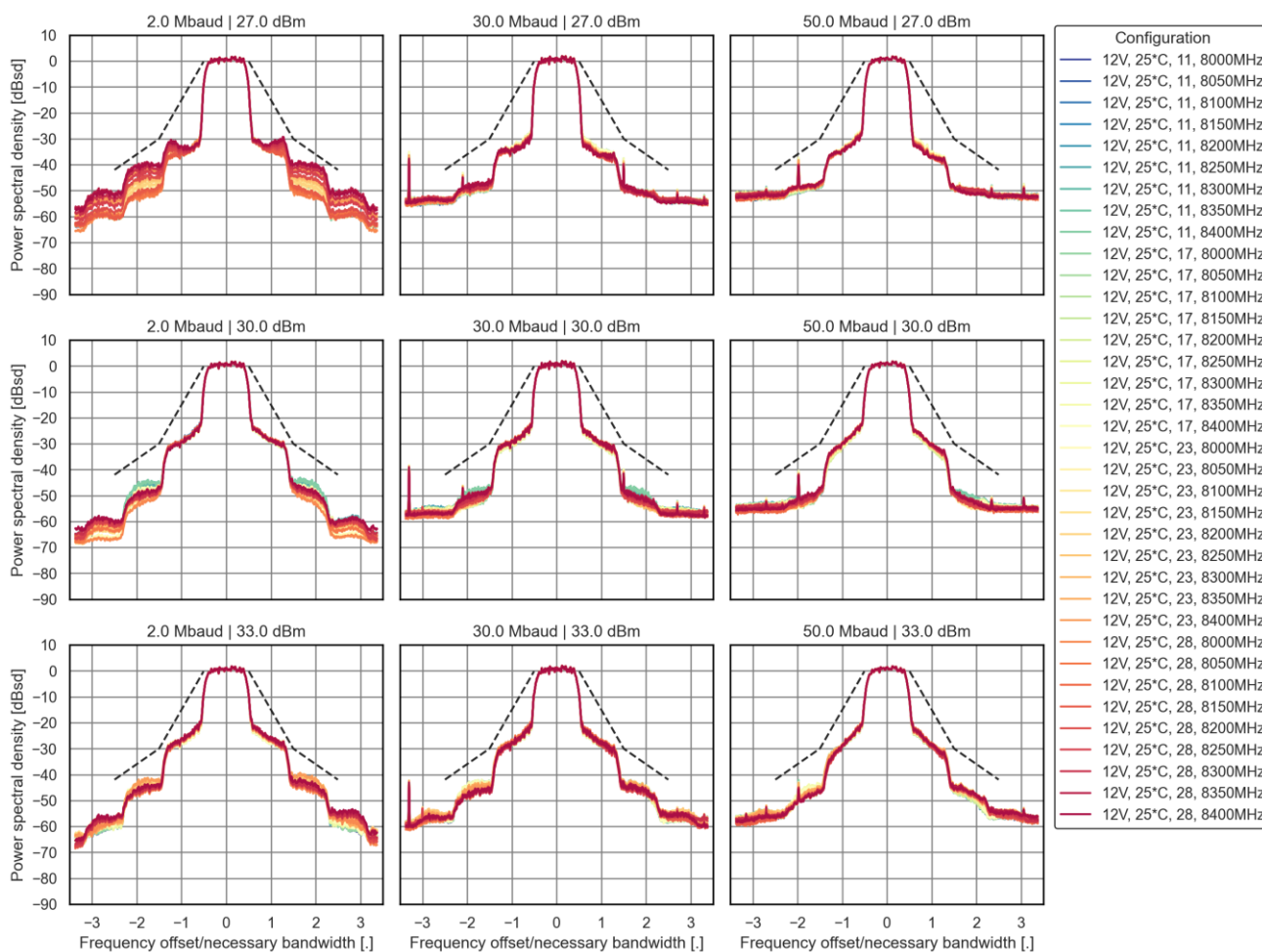


Figure 6-11: Typical spectral emission $V_{MAIN-8250} = 12VDC$ and $T_{AMB} = +25°C$.

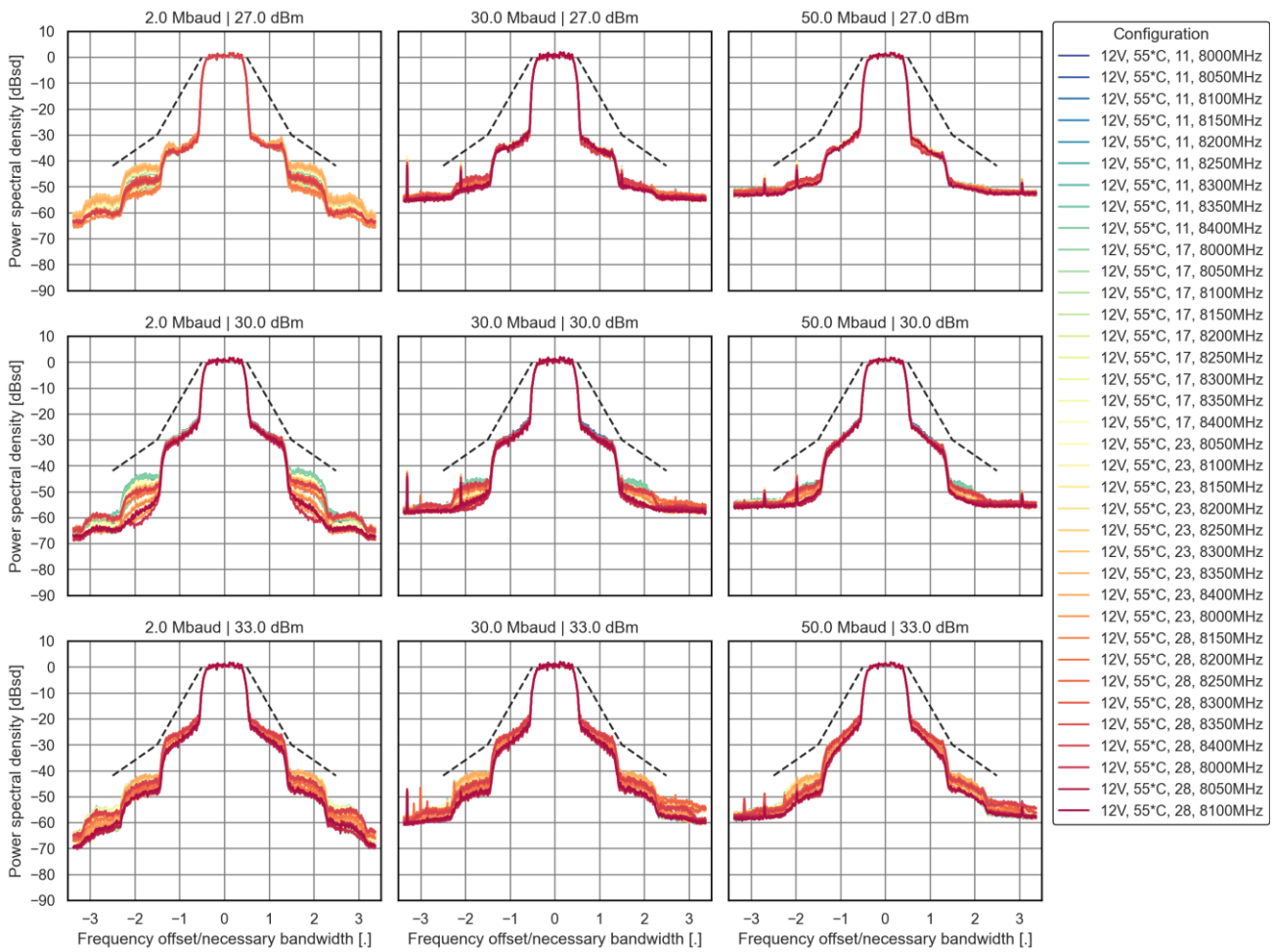


Figure 6-12: Typical spectral emission $V_{MAIN-8250} = 12VDC$ and $T_{AMB} = +55^{\circ}C$.

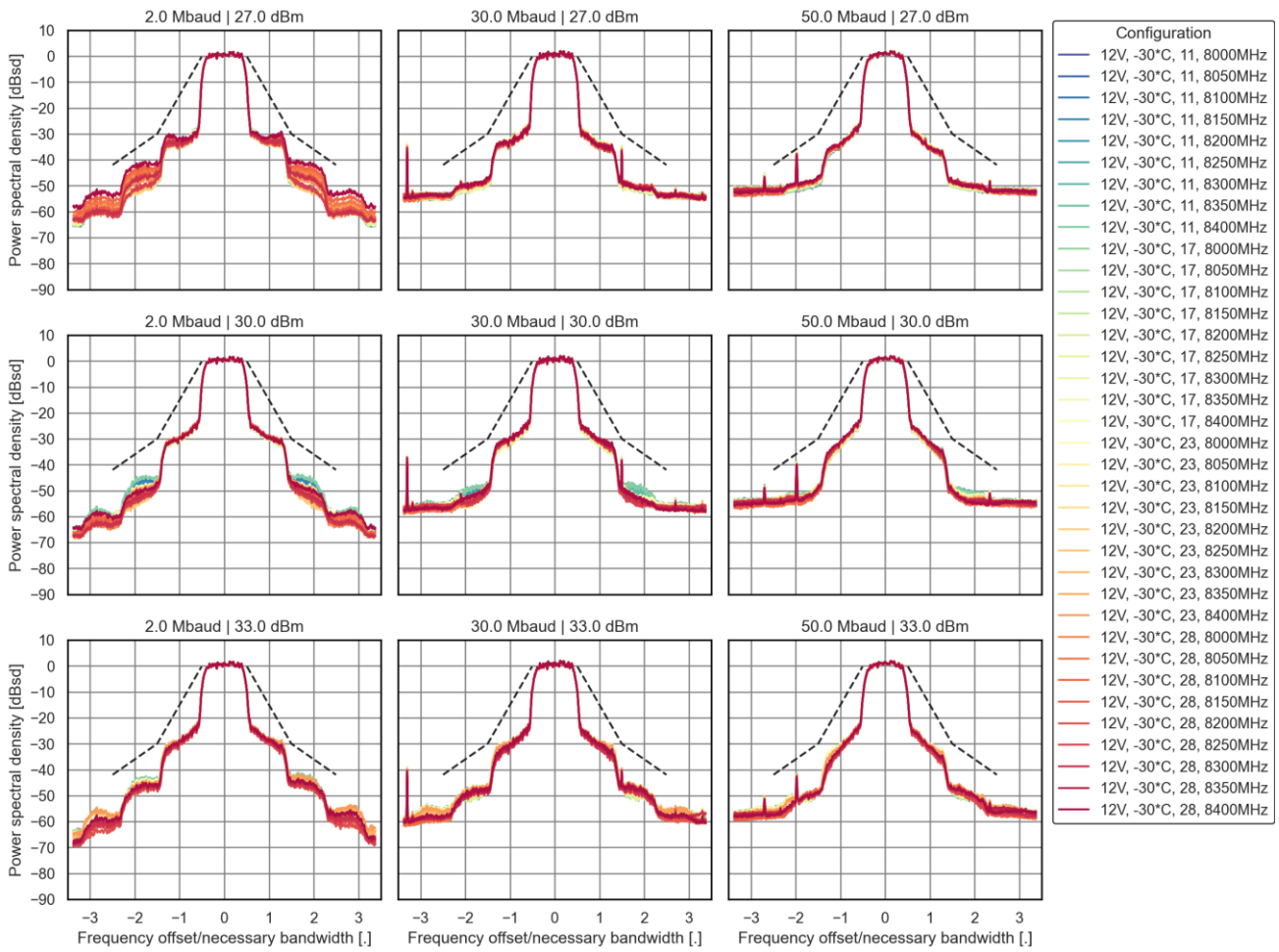


Figure 6-13: Typical spectral emission $V_{\text{MAIN-8250}} = 12\text{VDC}$ and $T_{\text{AMB}} = -30^\circ\text{C}$.

6.3.4 TX Spurious Emission

Typical spurious emissions across frequency for different symbol rates, MODCODs, and TX frequencies.

The spurious limit is from ITU-R SM.329. For the supported power levels, the spurious limit is fixed to -13dBm. The spurious domain is the area outside the 2.5 x the necessary bandwidth, where necessary bandwidth is defined as 1.111 times the symbol rate. Each trace represents the maximum level recorded with $V_{MAIN-8250} = 12, 28$ and $32VDC$ and $T_{AMB} = -30^{\circ}C, +25^{\circ}C$ and $+55^{\circ}C$.

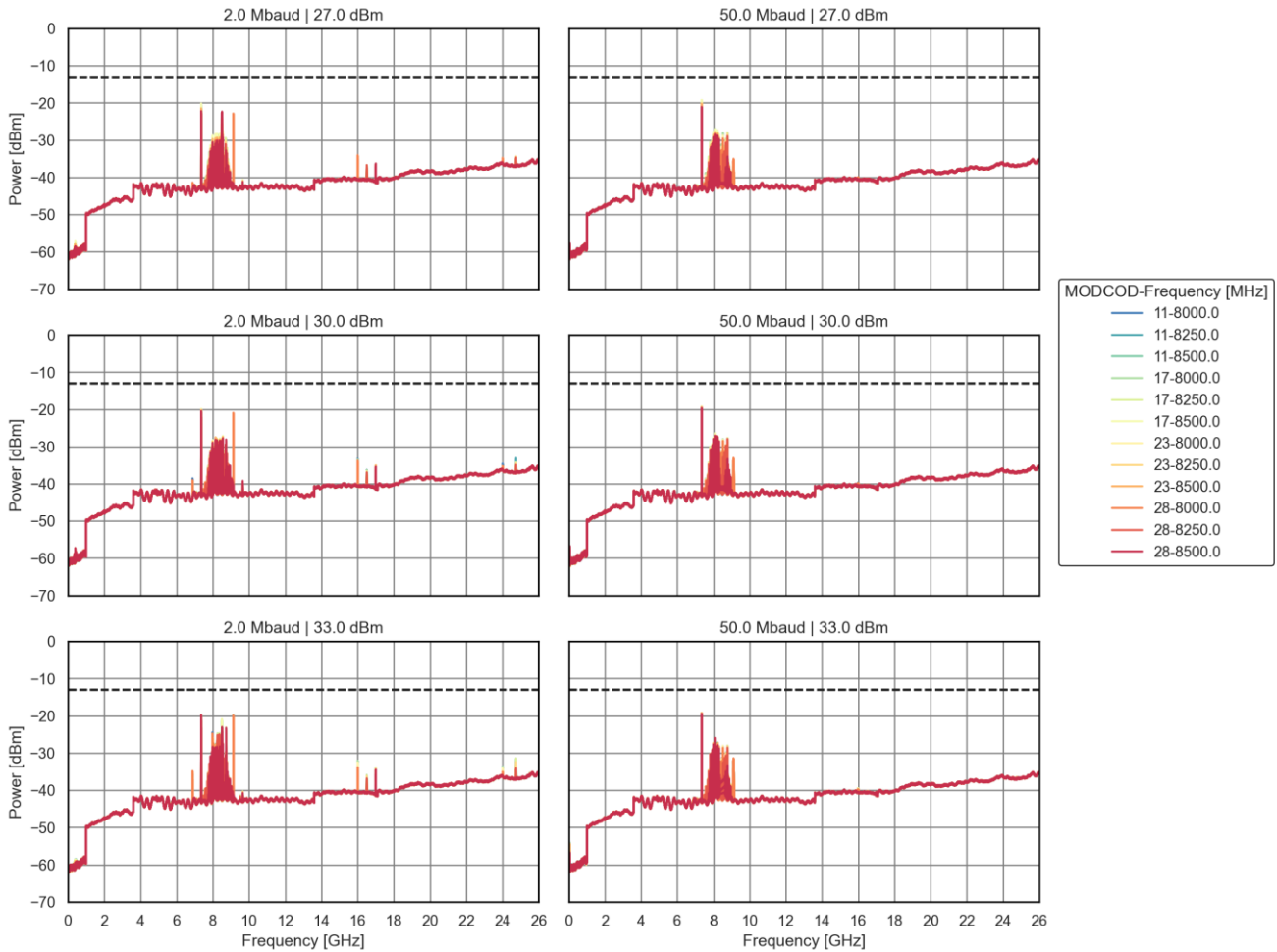


Figure 6-14: Typical spurious emission across extreme conditions.

6.4 Deep-Space Network Regulations

NASA's Deep-Space Network (DSN) uses very large antennas for communication with spacecrafts and to perform scientific or observer related tasks. Deep-Space network stations are located in The United States (California), Spain (Madrid) and Australia (Canberra).

Regulations are put in place by ITU to protect the Deep-Space network stations from external interference to ensure reliable communication. Due to the high sensitivity and narrow bandwidths used by DSN the permissible interference levels are very low in the frequency bands used by the network.

DSN Band [GHz]	Maximum interference power flux density at DSN location [dBW/m ² -Hz]
S-band: 2.29 – 2.30	-257.0
X-band: 8.40 – 8.45	-255.1
Ku band: 12.75 – 13.25	-254.3
Ka band: 31.8 – 32.3	-249.3

Table 6-9: ITU-R SA.1157 requirements for deep-space earth station interference compliance.

NanoCom Link X is evaluated against the power flux density (PFD) limits in Table , for various orbit heights (h) and distance (D_e) between satellite Nadir point on Earth and the DSN station using the geometry shown in Figure 6-15.

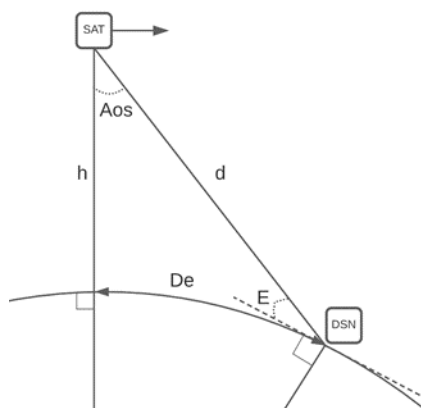


Figure 6-15: Satellite and DSN station geometry.

The noise level and discrete spurious signals in the various DSN bands are measured at the antenna connector of AFE8250 with 2W RF output (using MODCOD 11, Table 6-6) and the PFD at the DSN station is evaluated using the AM8250 satellite antenna gain and slant range (d). Spurious signals are assumed to have a 1 Hz bandwidth (worst case) and the X-band antenna is pointing Nadir.

It is recommended that the NanoCom Link X is only activated in areas where PFD at DSN station is below limits. In cases where the PFD limits are not met then the recommended solution is to use the NanoCom Link X with the optional DSN Filter Kit. The compliance matrix is shown in Table .

DSN Band [GHz]	Sym.rate [MBd]	NanoCom Link X	NanoCom Link X + DSN filter kit	Antenna Gain / Spurious
S-band: 2.29 – 2.30	10 to 50	Compliant	Compliant	Antenna Gain: Estimate -3dBi Spurious is 2 x IF at 2300 MHz
X-band: 8.40 – 8.45	10 to 50	Compliant ¹	Compliant ³	Antenna Gain: Measured data Spurious: Discrete, clock related
Ku-band: 12.75 – 13.25	10 to 50	Compliant	Compliant	Antenna Gain: Same as X-band No spurious
Ka-band: 31.8 – 32.3	10 to 50	Compliant ²	Compliant ²	Antenna Gain: Estimated -3dBi Spurious is 4 th harmonic of TX

Table 6-10: NanoCom Link X DSN compliance table.

Note 1: Compliant when the satellite is below horizon seen from the DSN station when transmitter is active.

Note 2: Compliant for $F_c \geq 8.10$ GHz. For $F_c < 8.10$ GHz the satellite must be below horizon seen from the DSN station when transmitter is active.

Note 3: Compliant for $F_c < 8.25$ GHz and $D_e > 200$ km. Not suitable for frequencies above 8.28GHz due to high loss of the RF filter.

The NanoCom Link X with DSN filter kit complies to the ITU recommendation in the frequency band 8.0 to 8.25GHz with one exception. On frequencies below 8.1GHz the satellite must be below horizon seen from the DSN station when transmitter is active to comply to the DSN frequency band 31.8-32.3GHz.

6.4.1 X-Band DSN Filter Kit

The content of the DSN Filter Kit is detailed in section 4.1. It includes an IF and RF bandpass filter and necessary coax cables to interconnect the filters. The IF filter is mounted on the Slot-C cover shield on SDR MK3, next to the TR-600 in Slot-B providing the X-band IF signal to ANT8250. The RF filter is inserted between the ANT8250 and the AM8250.

The RF filter and coax cable will result in additional loss that is not compensated by the power control in the transmitter, and the additional loss should therefore be included in link budgets etc. The expected additional loss for the RF filter is shown in Figure 6-16, and the frequency response in Figure 6-17. Data is based on four different kits.

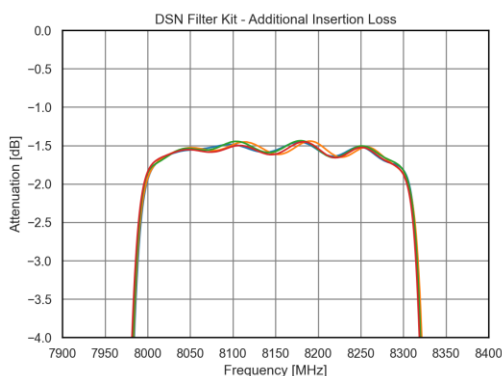


Figure 6-16: Expected additional loss of the RF filter and coax cables.

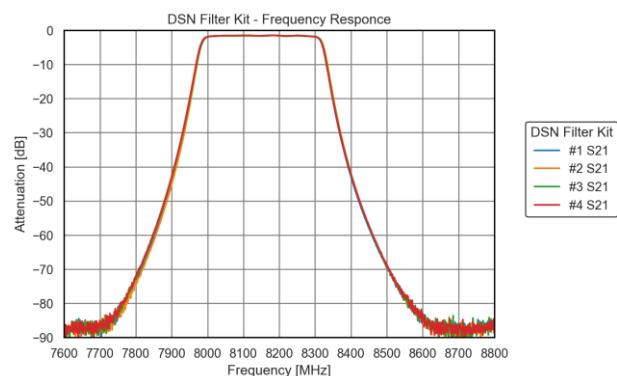


Figure 6-17: Frequency response of the RF filter in the DSN Filter Kit.

7 Antenna Performance Characteristics

Both S-Band and X-Band uses low profile right hand circular polarized patch antennas. Key performance is listed below including plots of measured data on realized gain, axial ratio, and half power beamwidth. The propagation direction $\theta = 0\text{deg}$ is perpendicular to the face of the antenna.

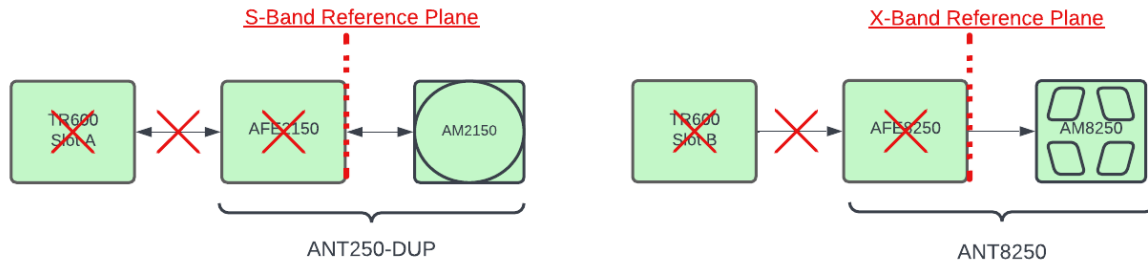


Figure 7-1: Reference plane antenna performance characteristics.

7.1 S-Band Patch (AM2150)

The S-Band patch is Right Hand Circular Polarized.

Parameter	Min	Max	Unit
Frequency range	2025	2290	MHz
Realized gain, $\theta = 0\text{deg}$	7	-	dBi
Axial ratio, $\theta = 0$ to $\pm 40\text{deg}$	-	4.5	dB
Half power beamwidth	55	80	deg
Insertion loss feed	-	0.5	dB

Table 7-1: S-Band patch antenna characteristics.

7.1.1 S-Band Realized Gain

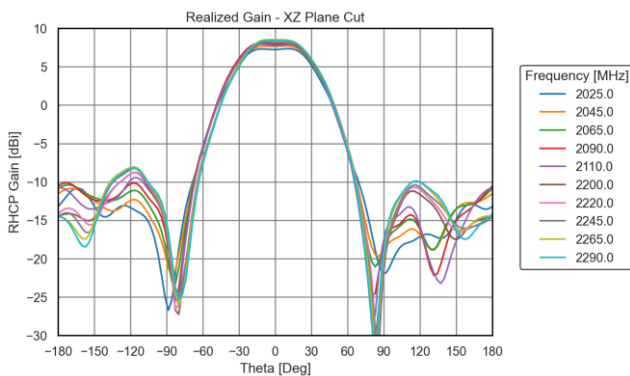


Figure 7-2: S-Band realized gain vs Theta, XZ plane.

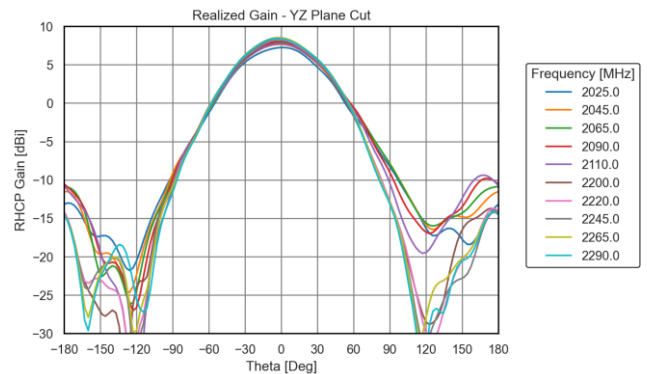


Figure 7-3: S-Band realized gain vs Theta, YZ plane.

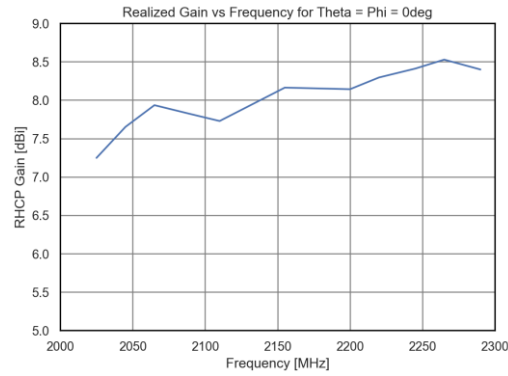


Figure 7-4: S-Band realized gain for Theta=Phi=0deg.

7.1.2 S-Band Axial Ratio

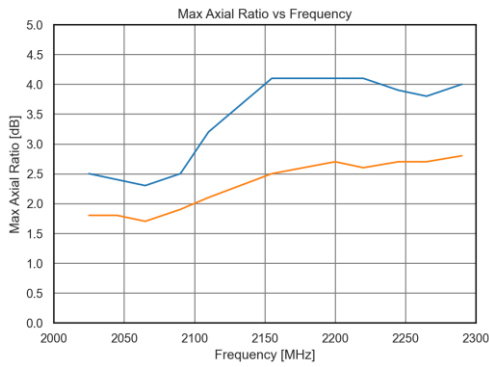


Figure 7-5: S-Band max axial ratio vs frequency.

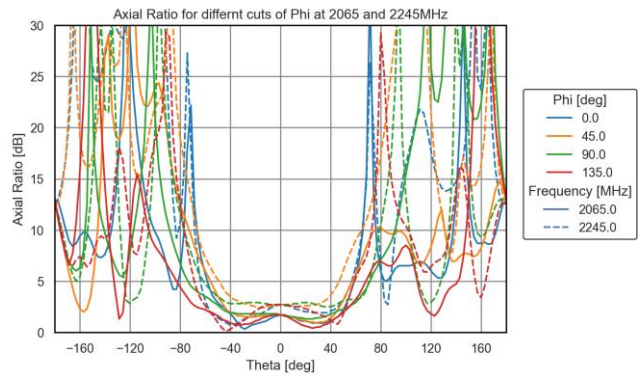


Figure 7-6: S-Band axial ratio at 2065 and 2245MHz.

7.1.3 S-Band Half Power Beamwidth

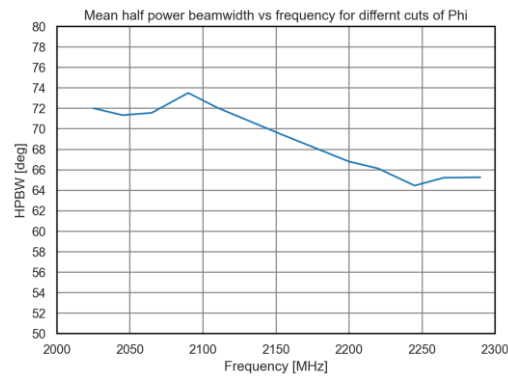


Figure 7-7: S-Band half power beamwidth.

7.2 X-Band Patch (AM8250)

The X-Band patch is Right Hand Circular Polarized.

Parameter	Min	Max	Unit
Frequency range	8000	8500	MHz
Realized gain, theta = 0deg	12	-	dBi
Axial ratio, theta = 0 to ±10deg	-	7.0	dB
Half power beamwidth	20	40	deg
Insertion loss feed	-	0.5	dB

Table 7-2: X-Band patch antenna characteristics.

7.2.1 X-Band Realized Gain

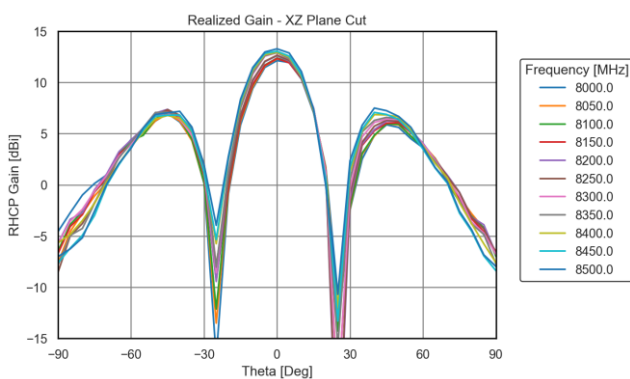


Figure 7-8: X-Band realized gain vs Theta, XZ plane.

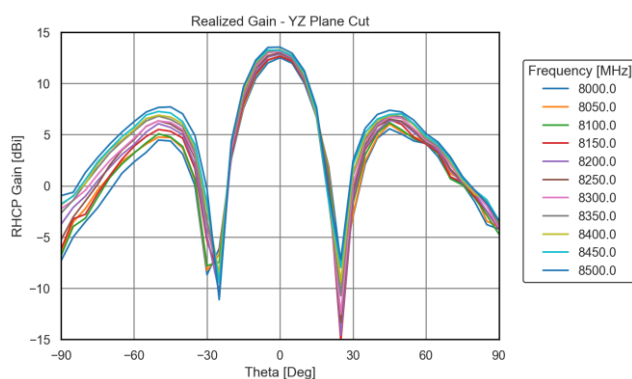


Figure 7-9: X-Band realized gain vs Theta, YZ plane.

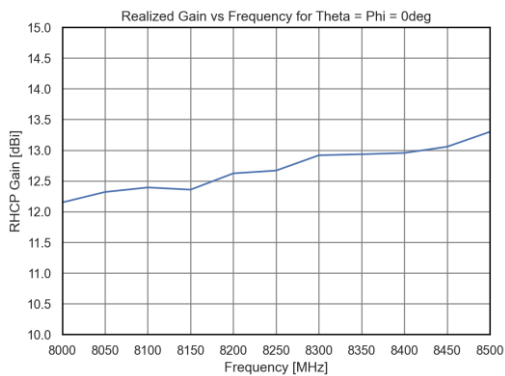


Figure 7-10: X-Band realized gain for Theta=Phi=0deg.

7.2.2 X-Band Axial Ratio

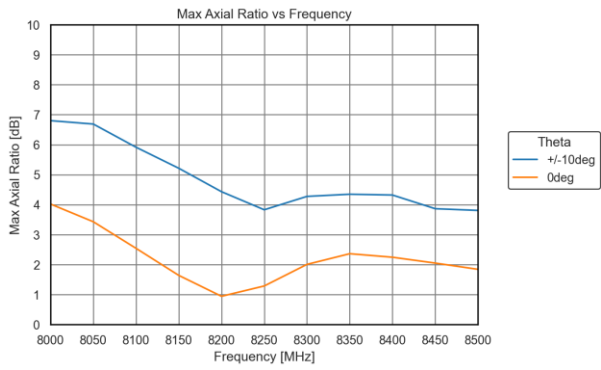


Figure 7-11: X-Band max axial vs frequency.

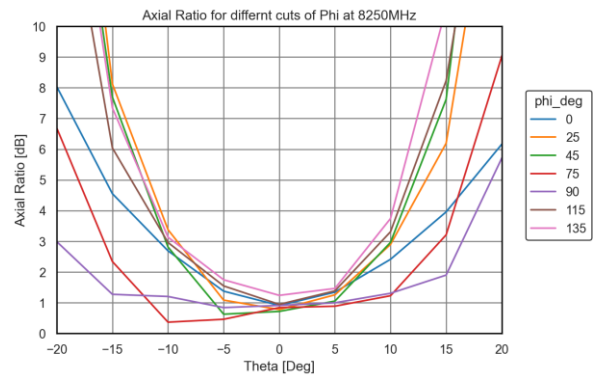


Figure 7-12: X-Band axial ratio at 8250MHz.

7.2.3 X-Band Half Power Beamwidth

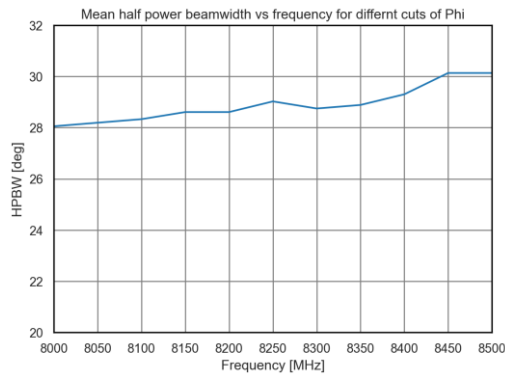


Figure 7-13: X-Band half power beamwidth.

8 Processing System Performance

8.1 Storage Performance

eMMC	Access Mode	Read	Write	Read/write
Primary	Sequential	184 Mbit/s	168 Mbit/s	88/88 Mbit/s
Secondary	Sequential	184 Mbit/s	168 Mbit/s	88/88 Mbit/s
Primary	Random	176 Mbit/s	168 Mbit/s	88/88 Mbit/s
Secondary	Random	176 Mbit/s	168 Mbit/s	88/88 Mbit/s
Striped	Sequential	360 Mbit/s	326 Mbit/s	167 Mbit/s
Striped	Random	380 Mbit/s	346 Mbit/s	180 Mbit/s

Table 8-1: Storage performance.

The Striped eMMC storage performance is achieved with a storage volume that logically spans both Primary and Secondary eMMC to achieve increased read and write performance compared to using a volume on a single eMMC. A Striped volume is intended for payload data only e.g. data to be downlinked with X-band at rate exceeding the single eMMC read rates.

The eMMC performance characteristics are derived using the “fio” benchmarking application. See https://fio.readthedocs.io/en/latest/fio_doc.html.

8.2 Data Transfer Performance

Interface	Data transfer rate	Transfer scenario
SpaceWire (file)	145 Mbit/s @ 1 MB files 155 Mbit/s @ 5 MB files 155 Mbit/s @ 100 MB files	File dump to striped eMMC.
SpaceWire (IP)	One interface streaming in one direction: 150 Mbit/s Three interfaces streaming in one direction: 150 Mbit/s per interface Three interfaces streaming in both directions: 80 Mbit/s per interface	Measured using iperf3. All rates apply for UDP and TCP. MTU set to 9000 bytes.
RS422 (IP)	80.6 Kbit/s @ 115.2 kBd 0.70 Mbit/s @ 1 MBd 1.40 Mbit/s @ 2 MBd 2.10 Mbit/s @ 3 MBd	Measured using iperf3 configured to use TCP/IP.

Table 8-2: Data transfer rate.

Protocol	Data transfer rate	Transfer scenario
GSUFTP	Non-striped eMMC: 170 Mbit/s @ MODCOD 28, 50 Msym/s Striped eMMC: 205 Mbit/s @ MODCOD 28, 50 Msym/s	
IP	206 Mbit/s @ MODCOD 28, 50 Msym/s 137 Mbit/s @ MODCOD 19, 50 Msym/s 45 Mbit/s @ MODCOD 4, 50 Msym/s	Measured using iperf3. All rates apply for UDP and TCP.

Table 8-3: X-Band data transfer rate.

Protocol	Data transfer rate	Transfer scenario
IP	375 kbit/s @ BPSK, 1MBd 5.6 Mbit/s @ QPSK, 7.5MBd	Measured using iperf3. Rates apply for UDP and TCP.

Table 8-4: S-Band data transfer rate.

9 Thermal Characteristics

NanoCom Link is qualified for an operational interface temperature between -40 and +53°C. Thermal models for the SDR MK3, ANT2150-DUP and ANT8250 are specified below.

9.1 Thermal Model SDR MK3

To be defined in a future revision.

9.2 Thermal Model ANT2150-DUP

To be defined in a future revision.

9.3 Thermal Model ANT8250

The ANT8250 module requires a good thermal interface to the satellite structure to maximize transmission time and to avoid any thermal damage. Consequently, a poor thermal interface between the module and the satellite structure lowers the maximum transmission time as the power amplifier shuts down when the temperature becomes too high. A graphite sheet is included with the module to maximize thermal conductivity to the structure.

Assuming a 6U structure used as a heatsink with the thermal interfaces depicted in Figure 9-1, the ANT8250 can transmit for approximately 20 minutes before reaching thermal limits.

A first order Lumped Parameter Model derived from experimental TVAC data of the Y-mount configuration on a 6U satellite is given below:

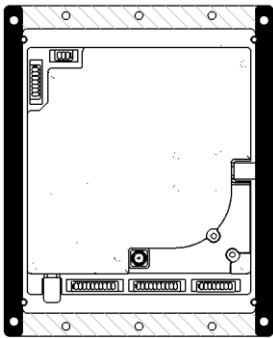
$$T_{PA}(t) = R \left(1 - e^{-\frac{t}{RxC}} \right) P_{DC}(t) + T_{IF}(t) \quad \text{Equation 1}$$

- Where:
- T_{PA} is the predicted temperature of the PA (critical component).
 - R is the thermal resistance at T_{IF} .
 - C is the heat capacity of the ANT8250 module.
 - P_{DC} is the DC power consumption of the AFE8250 as a function of time.
 - T_{IF} is the thermal interface temperature as a function of time.
 - t is the time.

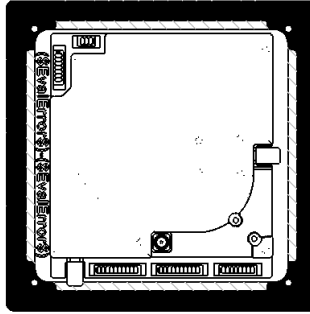
Parameter	Typical value	Unit	Recommended operating range
$T_{PA}(t)$	63.2	°C	-35°C to +75°C (up to +80°C non-operating)
R	0.61	K/W	
C	371	J/K	
$P_{DC}(t)$	18	W	Refer to Table 5-3
$T_{IF}(t)$	57	°C	-35°C to +57°C (up to +80°C non-operating)
T	600	Sec	0min to 20min

Table 9-1: LPM parameters.

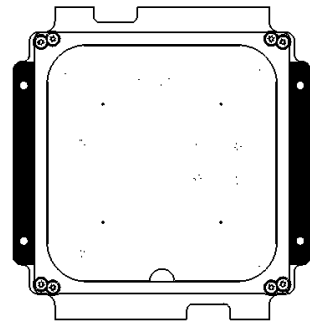
The standard thermal interface towards the structure is the dark shaded areas on the outer rim of the XYZ mounting brackets in Figure 9-1. Graphite sheets with outlines matching the black shaded areas are included with the product for X and Y side mount to minimize thermal resistance towards the structure.



X Side Mount



Y Side Mount



Z Side Mount

Figure 9-1: ANT8250 Standard Thermal Interface (dark shaded areas).

Please contact and consult GomSpace for further information on the thermal design and interconnection between the satellite and the AFE8250 module.

10 Mechanical Characteristics

All dimensions are in mm.

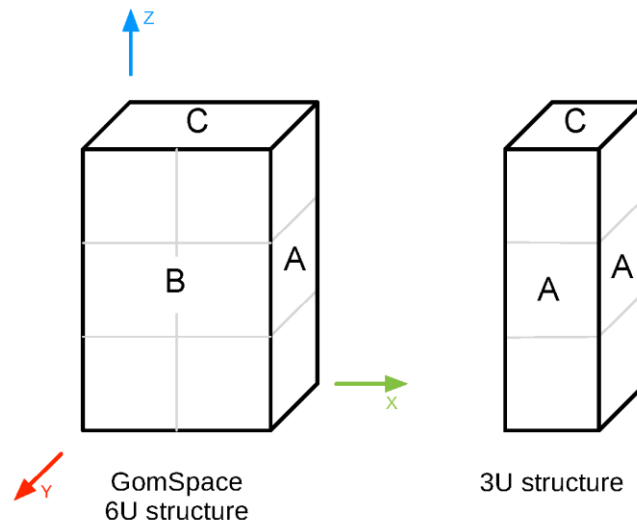


Figure 10-1: Antenna mounting plate Type ABC and XYZ side definitions.

Different mounting plates are available for the ANT2150-DUP and XT8250 to support direct placement on the X/Y/Z sides of standard GomSpace structures. Other mounting configurations are possible by using custom adaptation between the antenna mounting plate and structure.

When purchasing the product, it is possible to select between the different mounting plates using the option sheet.

10.1 SDR MK3 – NanoCom Link X

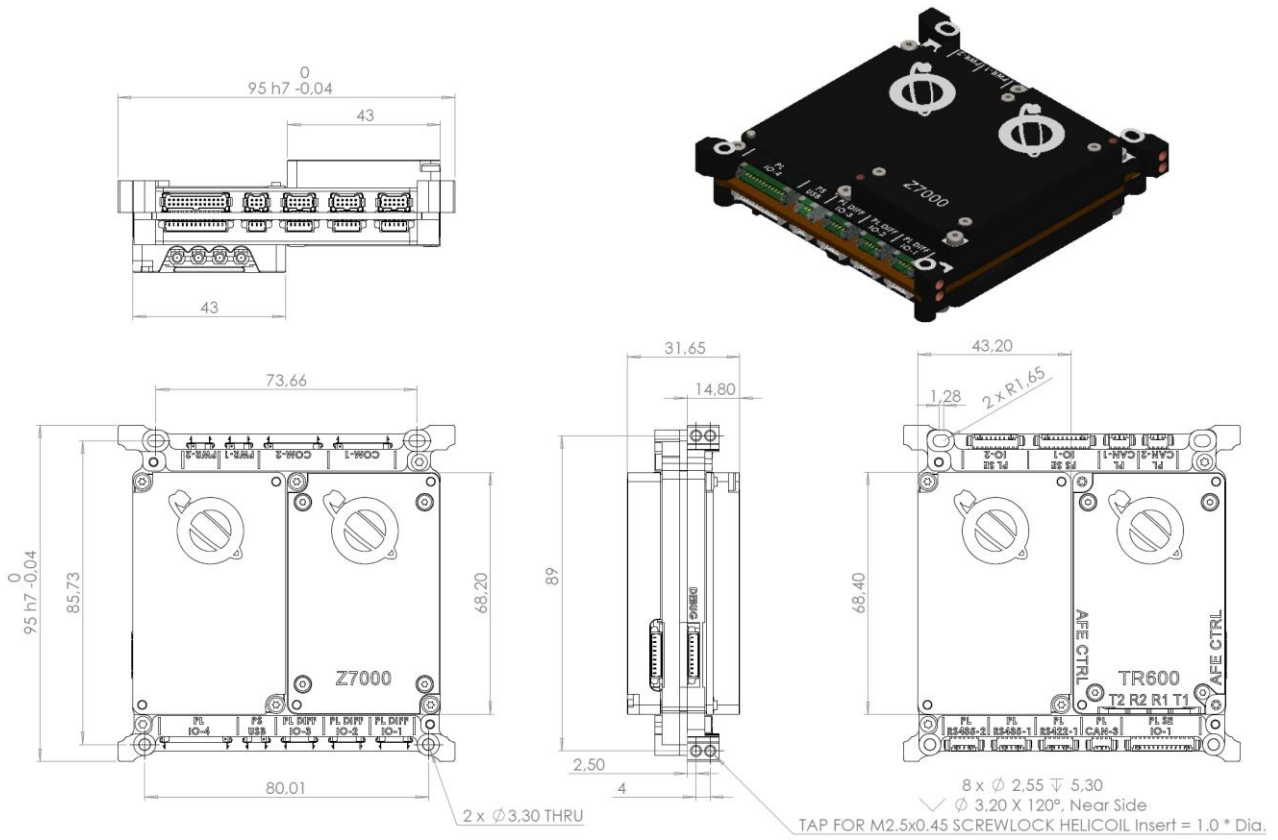


Figure 10-2: SDR MK3 – NanoCom Link X.

10.2 SDR MK3 – NanoCom Link S

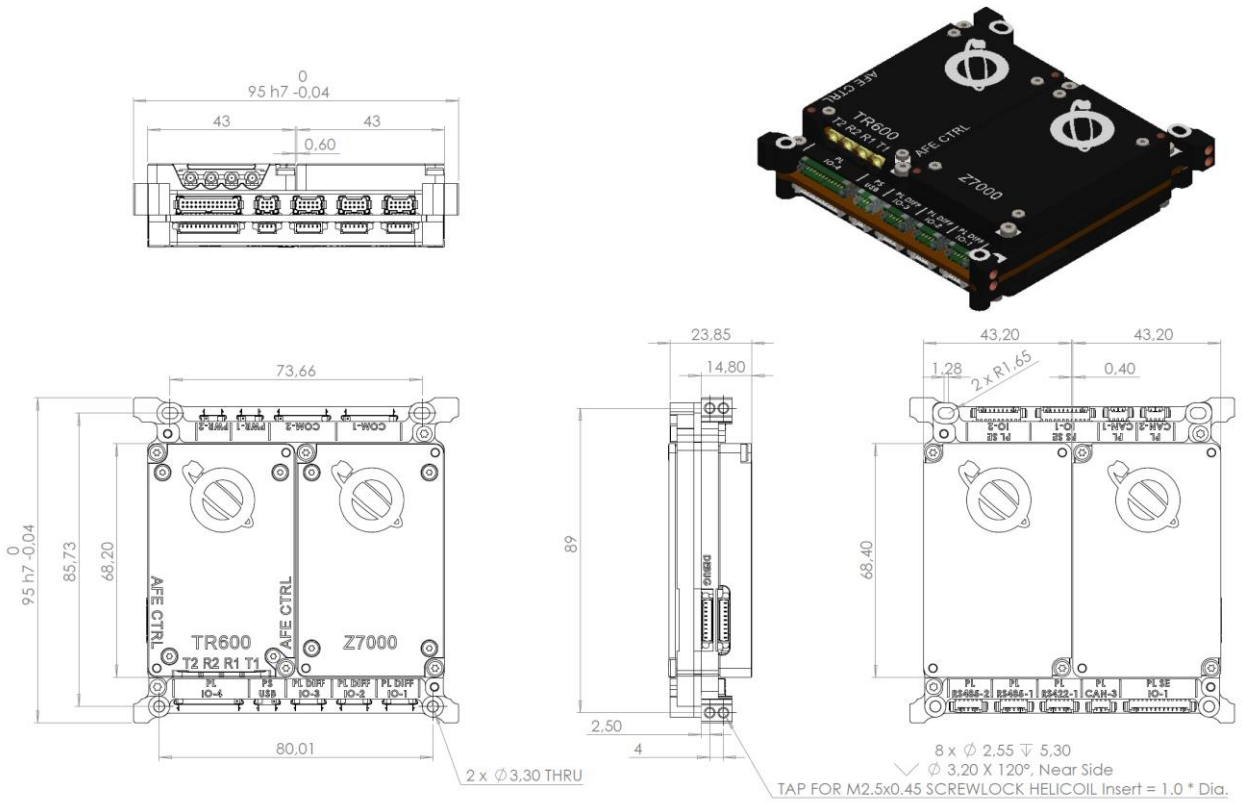


Figure 10-3: SDR MK3 – NanoCom Link S.

10.3 SDR MK3 – NanoCom Link SX

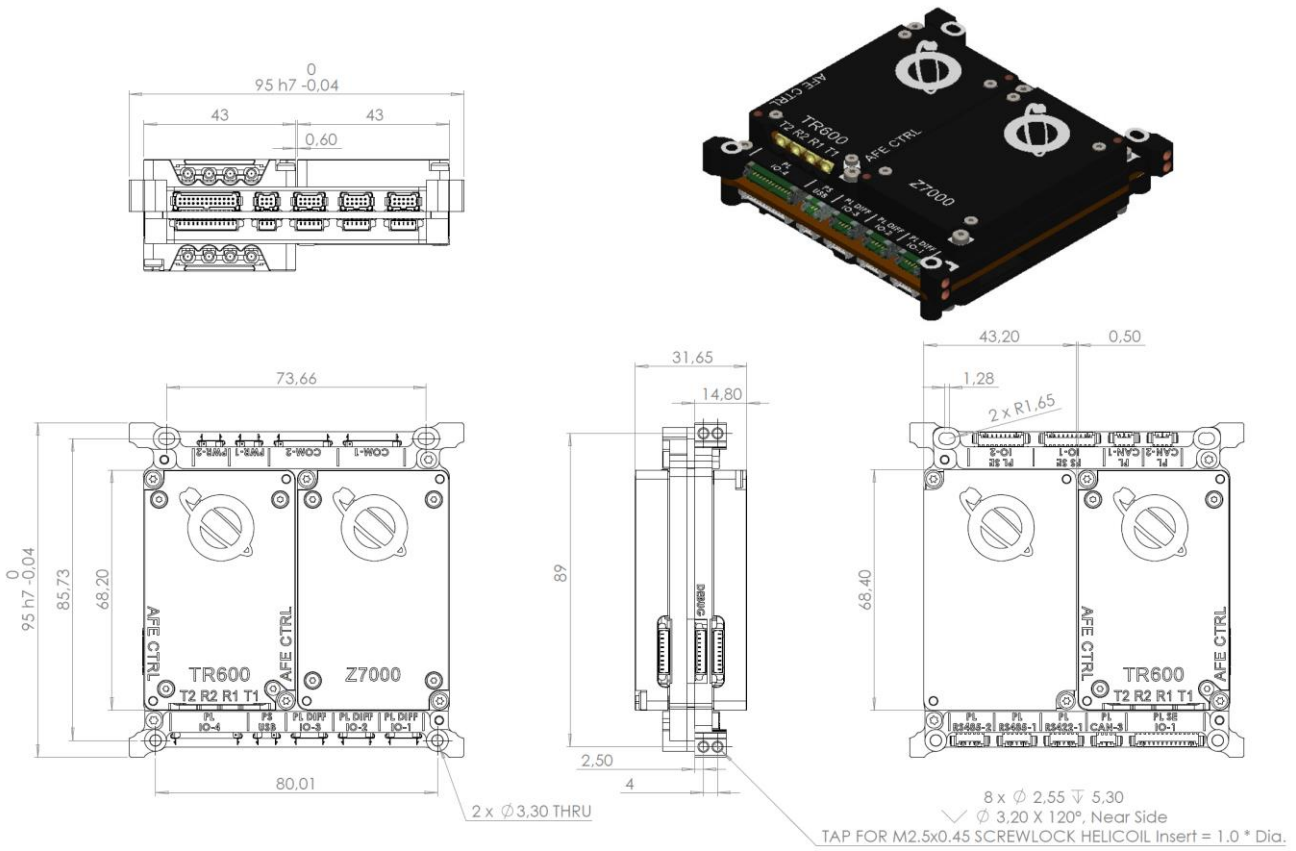


Figure 10-4: SDR MK3 – NanoCom Link SX.

10.4 ANT2150 Backplate X and Y

ANT2150 backplate for X or Y side mounting on GomSpace 3U and X side mounting on GomSpace 6U structure. Type A backplate in option sheet.

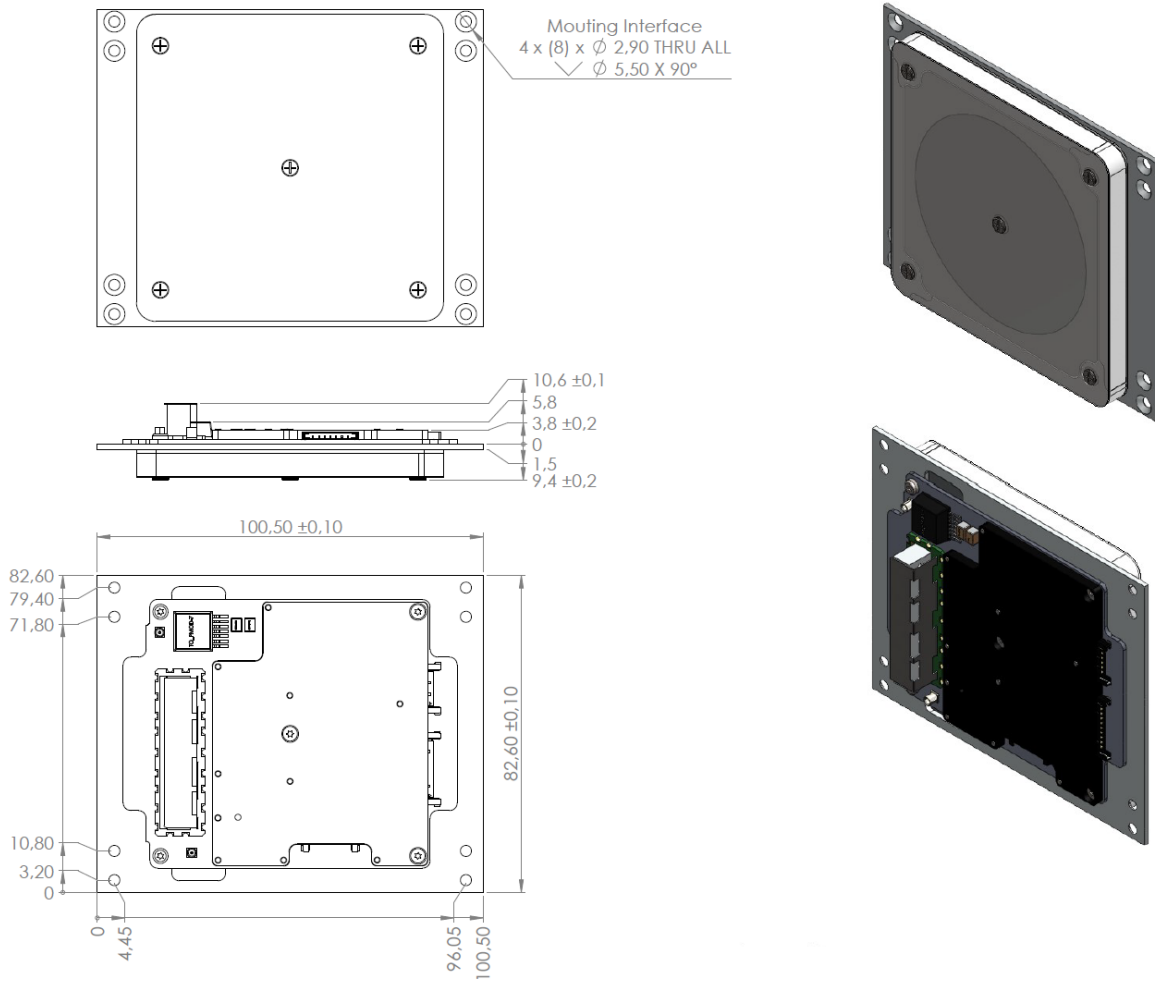


Figure 10-5: ANT2150 Backplate Type A.

10.5 ANT2150 Backplate Z

ANT2150 backplate for Z side mounting on GomSpace 3U structure. Type C backplate in option sheet.

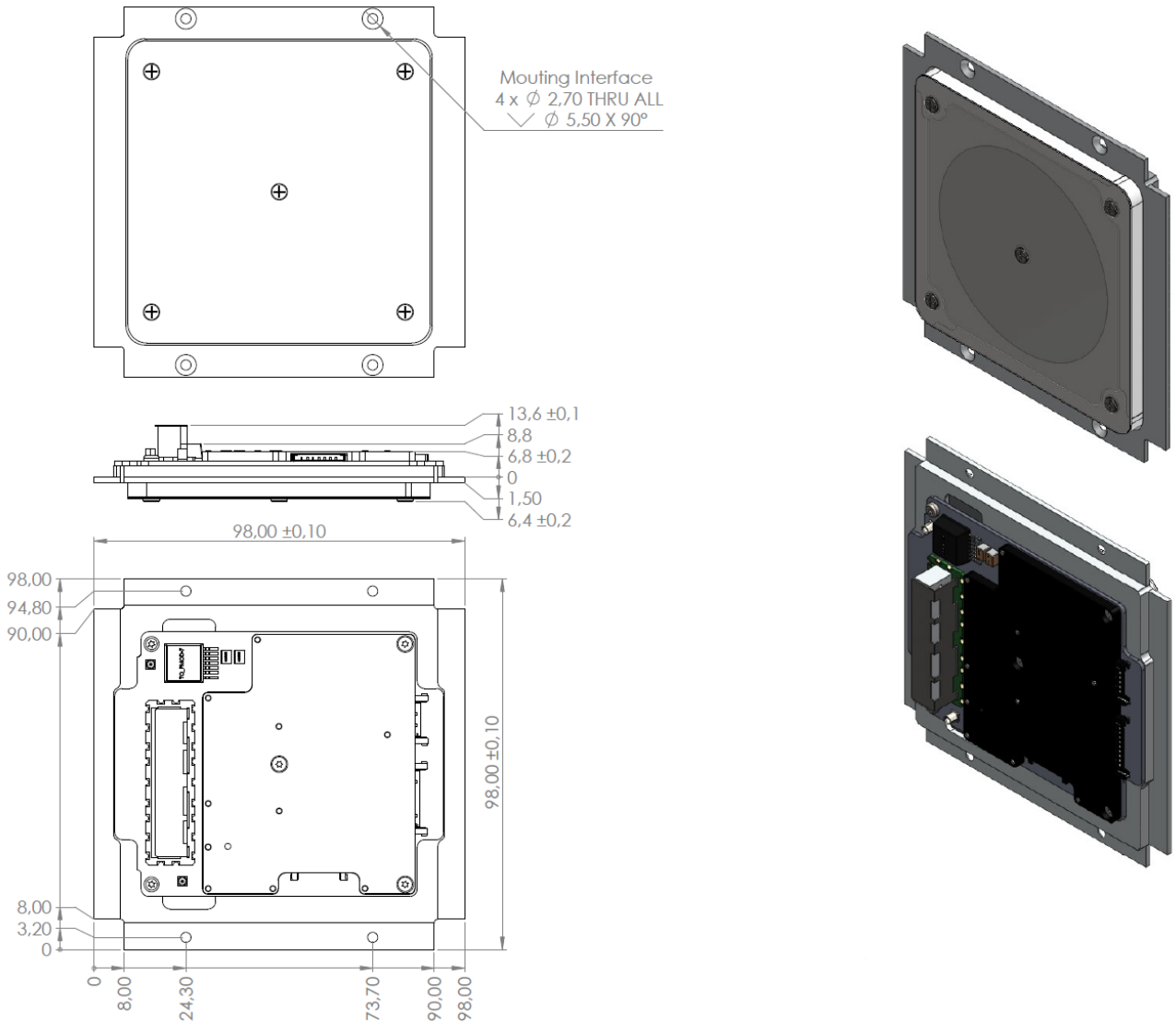


Figure 10-6: ANT2150 Backplate Type C.

10.6 ANT8250 Backplate X

ANT8250 backplate for X side mounting on GomSpace 6U structure.

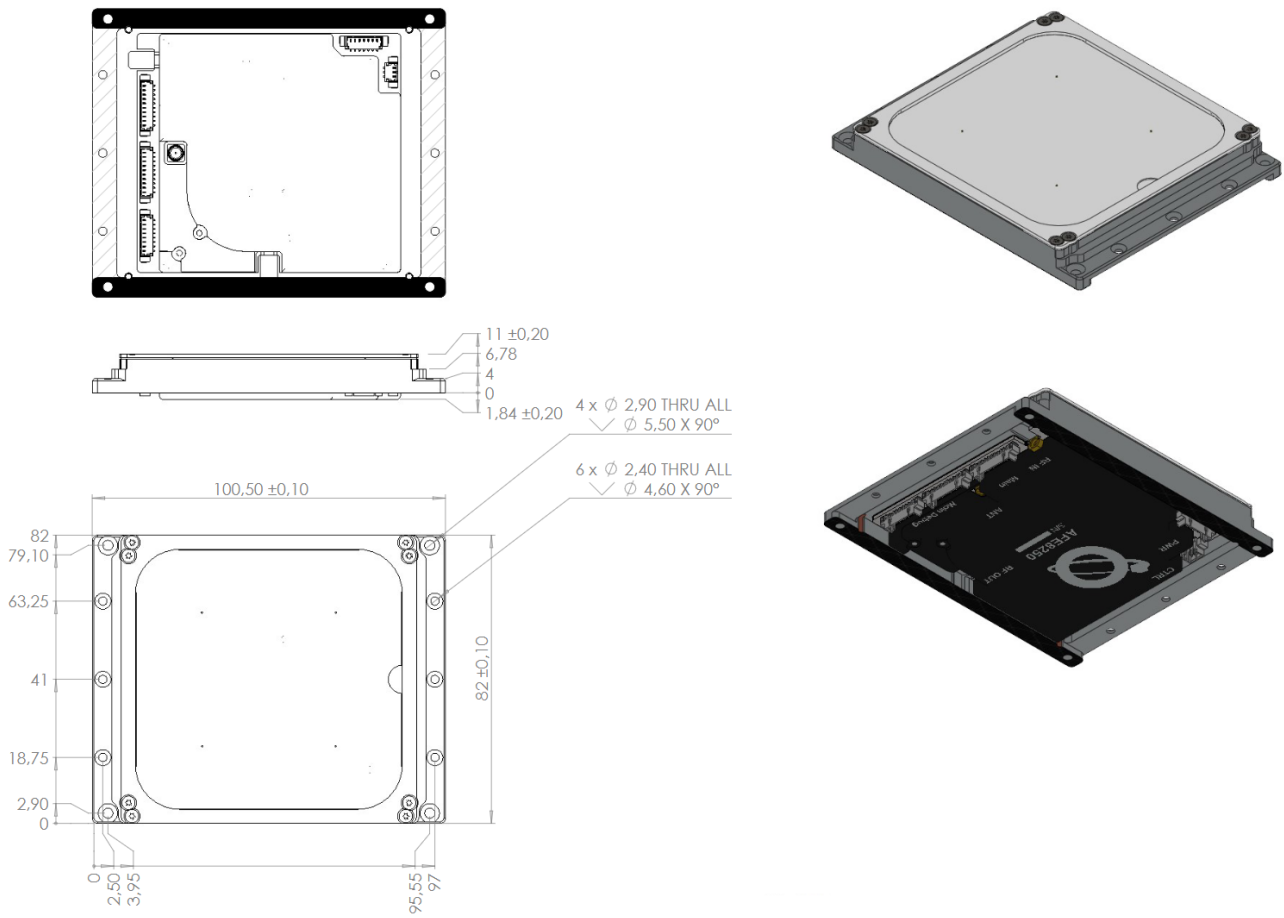


Figure 10-7: ANT8250 Backplate X side.

10.7 ANT8250 Backplate Y

ANT8250 backplate for Y side mounting on GomSpace 6U structure.

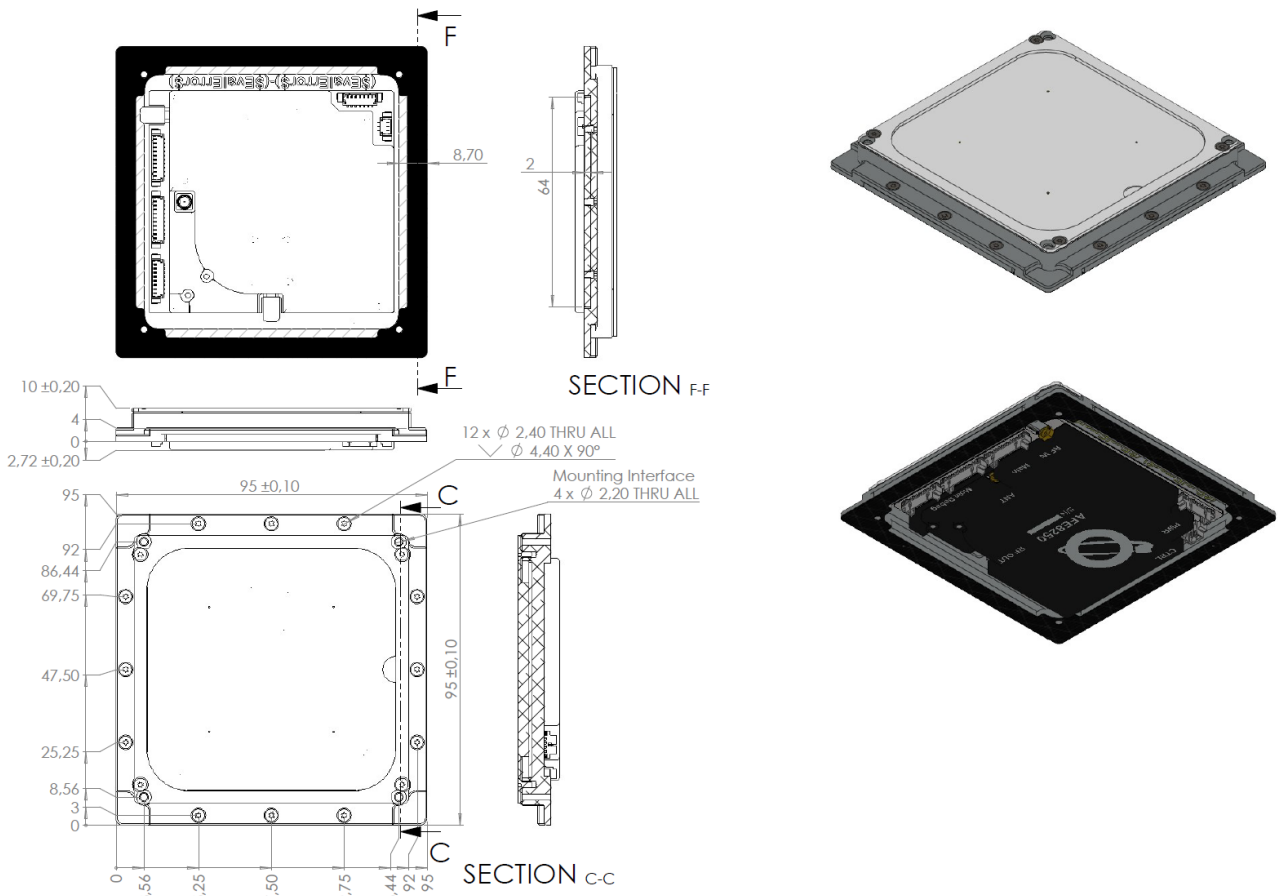


Figure 10-8: ANT8250 Backplate Y side.

10.8 ANT8250 Backplate Z

ANT8250 backplate for Z side mounting on GomSpace 6U structure.

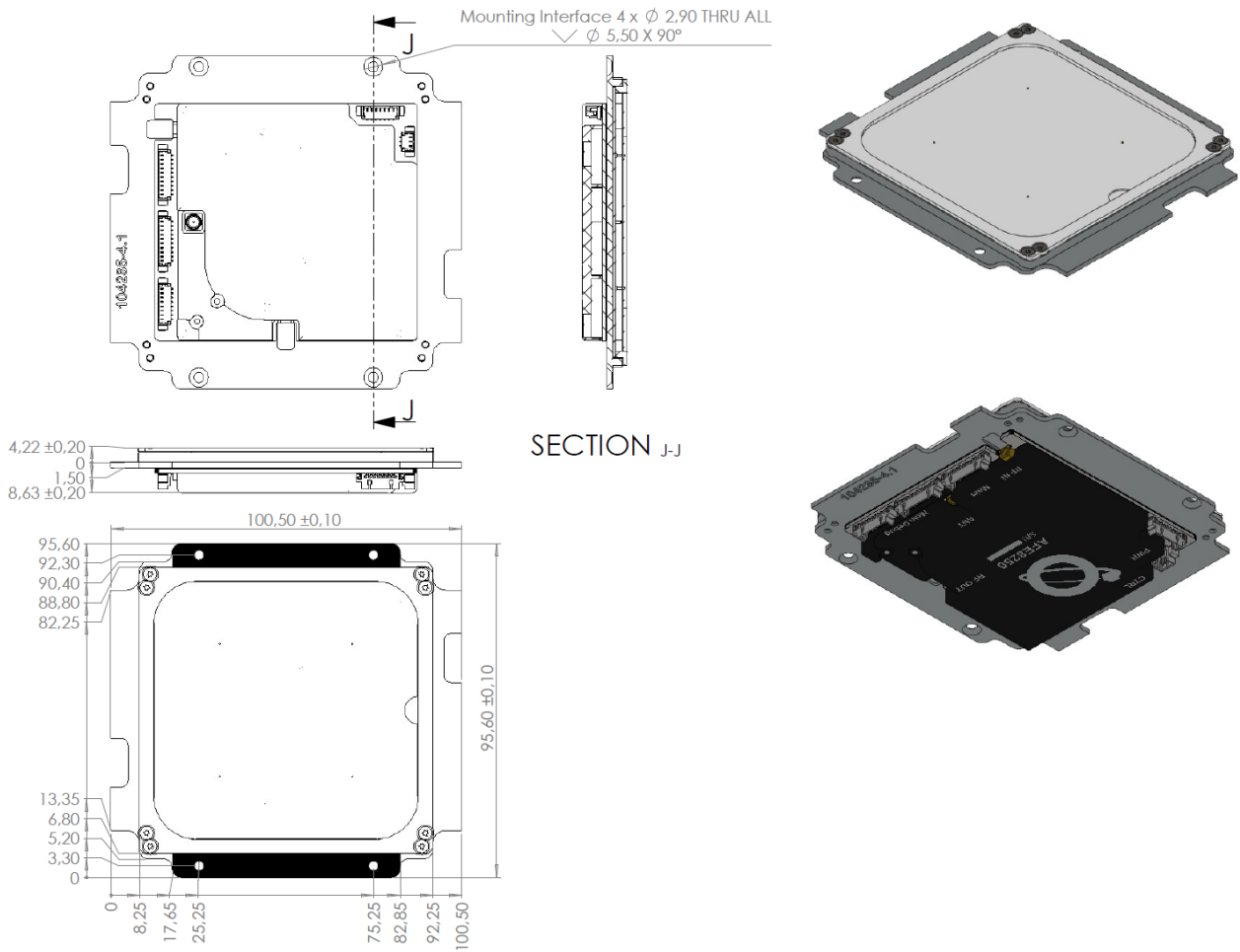


Figure 10-9: ANT8250 Backplate Z side.

10.9 DSN Filter Kit

The DSN Filter Kit contains a RF and IF bandpass filter and necessary coax cables to interconnect the filters. A detailed content list of the DSN Filter Kit is available in section 4.1

10.9.1 RF Filter

The RF filter is attached to a mounting bracket that is PC104 compliant and equipped with siderails for integration with GomSpace structures. The siderails are preferred over PC104 for mounting for maximizing thermal coupling. Coax cables are included to insert the RF filter between the output of AFE8250 and input of AM8250.

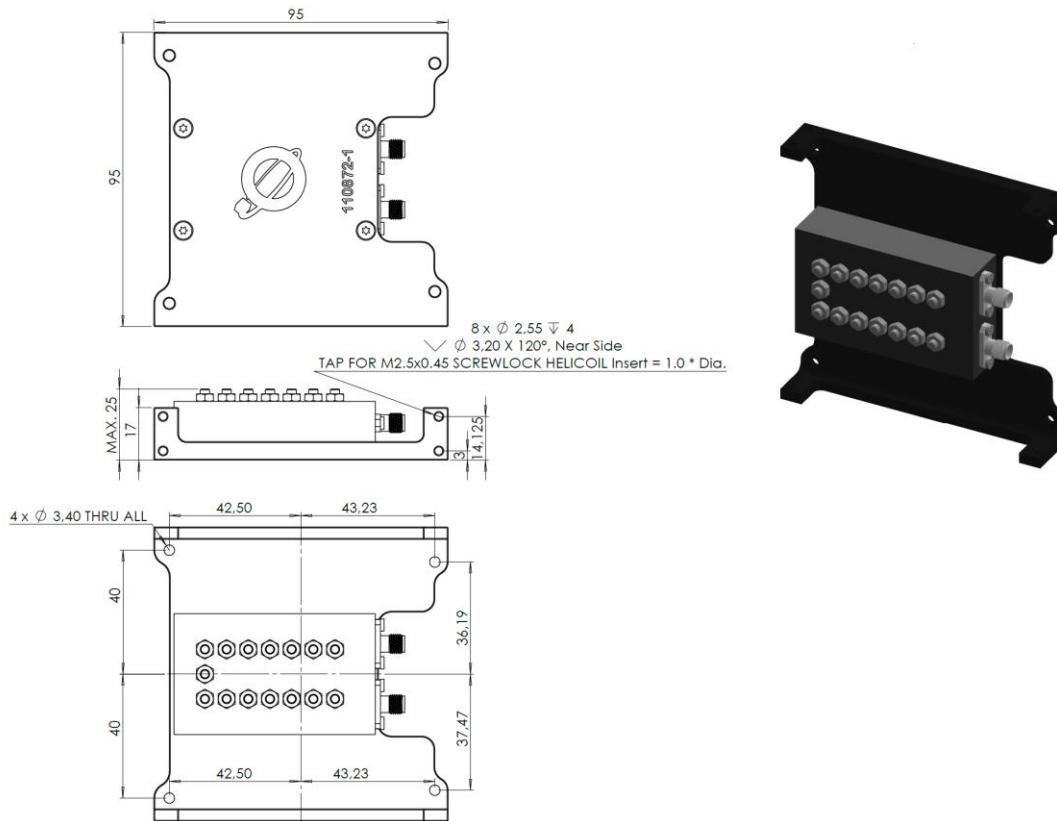


Figure 10-10: RF Filter with mounting bracket.

10.9.2 IF Filter

The IF filter is fixated to the Slot-C cover shield on the SDR MK3. Coax cables are included to connect T1 from TR600 in Slot-B to the IF filter and further from the IF Filter to ANT8250.

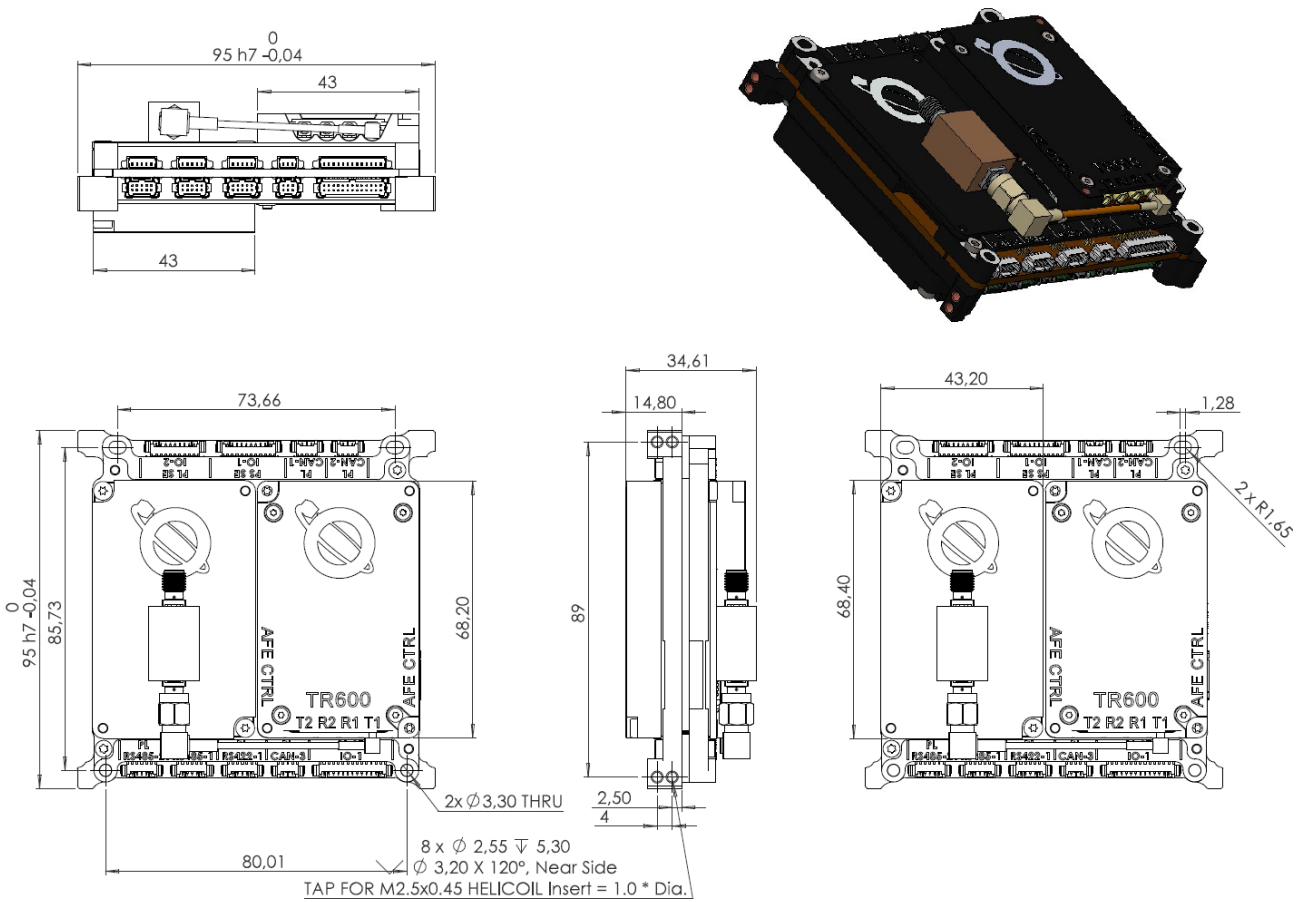


Figure 10-11: IF Filter attached to SDR MK3 Slot-C cover shield.

11 Mass

Below is an overview of the typical mass of the different configurations of NanoCom Link. All readings have been rounded up to the nearest whole number.

11.1 SDR MK3

Variant	Mass	Unit
NanoCom Link S	272	g
NanoCom Link X	272	g
NanoCom Link SX	315	g

Table 11-1: SDR MK3 mass.

11.2 ANT2150-DUP

Mounting Configuration	Mass	Unit
Type A	112	g
Type C	123	g

Table 11-2: ANT2150-DUP mass.

11.3 ANT8250

Mounting Configuration	Mass	Unit
X side	144	g
Y side	150	g
Z side	131	g

Table 11-3: ANT8250 mass.

11.4 DSN Filter Kit

Configuration	Mass	Unit
RF, IF filter and coax cables	221	g

Table 11-4: DSN Filter Kit mass.

11.5 Product Cable Kit

The mass of the different cables, except those being part of the DSN filter kit and those intended for debug only, are listed below.

ID	Description	S	X	SX	Mass	Unit
PWR	SDR MK3 power to flying leads	√	√	√	6	g
S-PWR	ANT2150 power to flying leads	√	N.A.	√	6	g
X-PWR	ANT8250 power to flying leads	N.A.	√	√	6	g
S-RF	RG-178 Coax cable, SSMCX to SMPM	√	N.A.	√	6	g
X-IF	RG-178 Coax cable, SMPM to SMPM	N.A.	√	√	6	g
X-RF	SMPM to SMP .085" semi rigid coax cable	N.A.	√	√	2	g
S-CTRL	TR600 MK3 to ANT2150 control harness	√	N.A.	√	4	g
X-CTRL	TR600 MK3 to ANT8250 control harness	N.A.	√	√	5	g
TERM1	SDR MK3 Mainbus CAN2 120R termination	√	√	N.A.	1	g

Table 11-5: Product cable kit mass.

12 Qualifications

The individual devices of NanoCom Link have been exposed to several environmental tests to simulate the harsh conditions of launch and space. Contact GomSpace for further information.

13 Revision History

Revision	Date	Description
1.0	23-12-2022	First release.
2.0	10-02-2023	Updated feature Overview (section 1). Added section on Processing System Performance (section 8). Added section on mass (section 11). Added 3U / 6U structure side definitions on compatibility with standard antenna mounting plates (section 10). Added further details on power consumption (section 5.4.2) Updated specification on EVM (section 6.3) Added limitations maximum configurable symbol rate vs MODCODs for the different supported variants (section 6.3) Updated system block diagram with further information on supported interfaces (section 4).
3.0	27-03-2023	Updated minimum thermal interface temperature on SDR, ANT8250 and ANT2150 from -40°C to -35°C (section 3). Updated mass figure ANT8250 Y side mount from 142g to 150g (section 11). Added pinout information on RF, S-CTRL and X-CTRL interface connectors on Nanocom TR600 MK3 and ANT2150-DUP and ANT8250 (section 4). Added pinout information on Debug interface connector on NanoDock MK3 (section 4).
4.0	30-05-2023	Updated processing system performance (section 8).
5.0	13-06-2023	Added USB cable to product cable kit (section 4). Corrected ANT8250 max voltage from 33V to 32V (section 5).
6.0	25-08-2023	Added Link-S performance characteristics, and Link-SX power consumption data (section 5.4, 6.1 and 6.2). Updated note on SpaceWire termination (section 4.4.2).
7.0	22-08-2024	Updated USB cable length Table 4-1 from 10 to 100cm (section 4). Added further clarification on EN signal utilization SDR MK3 power interface (section 4.3.1). Updated X-band initial TX frequency error vs temperature Table 6-5 from +/- 1.5 to +/-2.0PPM (section 6.3).
8.0	28-10-2024	Added note on SpaceWire performance MTU size.
9.0	05-11-2024	Updated S-band initial RX and TX frequency error vs temperature Table 6-1 and Table 6-2 from +/-3.0 to +/-6.0PPM.

14 Disclaimer

The information in this document is subject to change without notice and should not be construed as a commitment by GomSpace. GomSpace assumes no responsibility for any errors that may appear in this document. In no event shall GomSpace be liable for incidental or consequential damages arising from use of this document or the software and hardware described in this document.