

NanoCom

ANT2090 DUP

ANT2150 DUP

ANT2150 ISL

Datasheet

S-band active antenna

Product name: NanoCom ANT2000

Document No.: 1010651

Revision: 1.4

Author: ROBB

Approved by: HKK

Approval date: 07-10-2019

## Confidentiality Notice

This document is submitted for a specific purpose as agreed in writing and contains information, which is confidential and proprietary. The recipient agrees by accepting this document, that this material will not be used, transferred, reproduced, modified, copied or disclosed in whole or in part, in any manner or to any third party, except own staff to meet the purpose for which it was submitted without prior written consent.

GomSpace © 2019

# 1 Table of Contents

<b>2</b>	<b>OVERVIEW .....</b>	<b>4</b>
2.1	Highlighted Features.....	4
2.2	Block Diagram .....	5
2.3	Functional Description .....	5
2.3.1	ISL Version .....	5
2.3.2	DUP Version .....	6
2.4	Calibration and Setup .....	6
<b>3</b>	<b>VERSIONS .....</b>	<b>7</b>
3.1	Inter Satellite Link (ISL) and Profile .....	7
3.2	Duplex (DUP) and Profile .....	7
3.3	Mounting Plate .....	7
<b>4</b>	<b>CONNECTOR PINOUT .....</b>	<b>9</b>
4.1	Connector Location Top .....	9
4.1.1	J102 - RX RF COAXIAL CONNECTOR .....	9
4.1.2	J300 - TX RF COAXIAL CONNECTOR .....	9
4.1.3	J400 - Power Connector .....	10
4.1.4	J401 - Control Connector.....	10
4.1.5	J402 - Debug .....	10
<b>5</b>	<b>DATA INTERFACE .....</b>	<b>11</b>
<b>6</b>	<b>DEBUG INTERFACE .....</b>	<b>11</b>
<b>7</b>	<b>ABSOLUTE MAXIMUM RATINGS .....</b>	<b>11</b>
<b>8</b>	<b>ELECTRICAL CHARACTERISTICS .....</b>	<b>11</b>
<b>9</b>	<b>PHYSICAL CHARACTERISTICS .....</b>	<b>11</b>
<b>10</b>	<b>RF PERFORMANCE CHARACTERISTICS .....</b>	<b>12</b>
10.1	Receiver ISL .....	12
10.2	Receiver DUP .....	12
10.3	Transmitter.....	12
<b>11</b>	<b>ANTENNA PERFORMANCE .....</b>	<b>13</b>
11.1	Standard Profile .....	14
11.1.1	Antenna Gain .....	14
11.1.2	Axial Ratio.....	15
11.1.3	Half Power Beamwidth .....	16
11.1.4	Port Matching.....	16
11.2	Low Profile .....	17
11.2.1	Antenna Gain .....	17
11.2.2	Port Matching.....	17
<b>12</b>	<b>MECHANICAL DRAWING .....</b>	<b>18</b>
12.1	Type A.....	18
12.2	Type B.....	19
12.3	Type C .....	20
12.4	Type D .....	21
<b>13</b>	<b>DISCLAIMER .....</b>	<b>22</b>

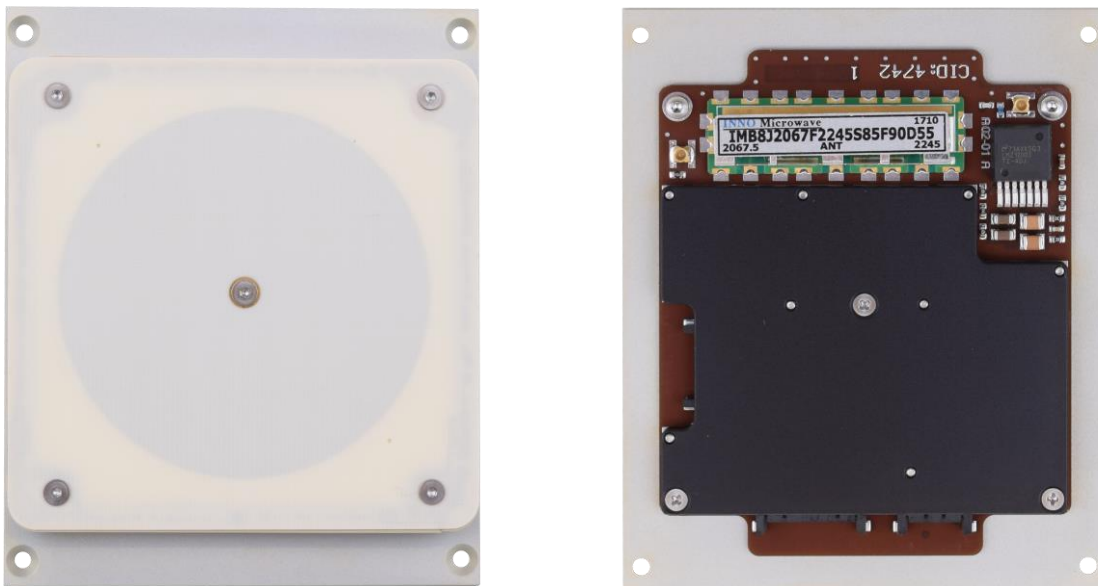
## 2 Overview

GomSpace NanoCom ANT2090 DUP, ANT2150 DUP and ANT2150 ISL are active antennas specifically designed for interfacing with GomSpace SDR transceivers. All three antennas are referred to under a common name, ANT2000.

Several mounting versions are available depending on placement on a nano-satellite.

The active antenna is built as a sandwich around a shield/mounting plate. The RF signal connection between the antenna and electronics PCBs are made with RF compression connectors. This construction allows flexible mounting on several different satellite structures – just by changing the shield/mounting plate.

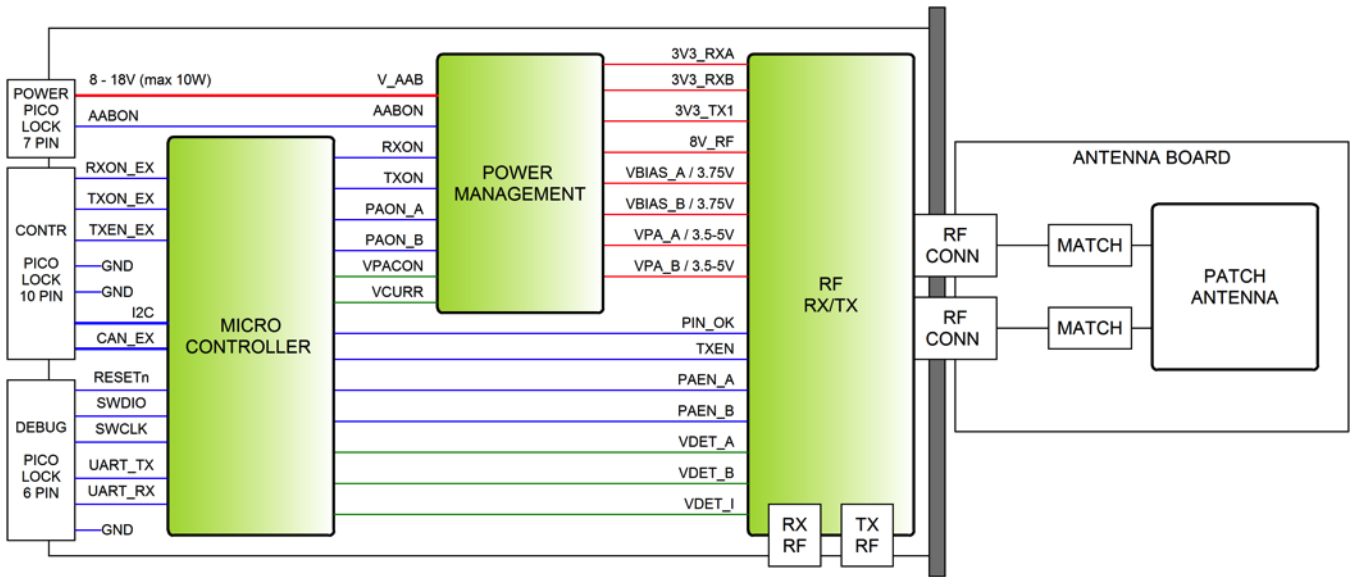
Below is shown two photos of the top and the bottom of the antenna, all three versions are similar in appearance.



### 2.1 Highlighted Features

- Integrated antenna and PA/LNA results in low loss and optimum RF performance.
- Duplex filter based design results in optimum co-existence with other RF transceivers on-board.
- Flexible sandwich construction allows flexible mounting on different satellite structures – just by changing the shield/mounting plate.
- Shielded electronics.
- Flexible power interface (VIN 8-18 V).
- Default CAN-bus control interface.
- Medium gain (8 dBi) patch antenna with circular polarization.
- ANT2090-DUP version supports full duplex with RX in 1980-2010 MHz and TX in 2170-2200 MHz.
- ANT2150 DUP version supports full duplex with RX in 2025-2110 MHz and TX in 2200-2290 MHz.
- ANT2150 ISL version supports time division duplex (TDD) in 2200–2290 MHz frequency band.
- Temperature sensors (one sensor for PA and one in the microcontroller).
- Input current sensor (for monitoring VIN current above 300mA).
- PCB material:
  - Electronics Board: Glass/Polyimide IPC 6012C cl. 3
  - Antenna Module: Rogers RO4003C
- IPC-A-610 Class 3 assembly

## 2.2 Block Diagram



## 2.3 Functional Description

ANT2000 contain: a transmit power amplifier, a receive low noise amplifier, transmit/receive switch (ISL version), and necessary support circuits.

The antenna section includes matching components and the RF compression connectors. Stated antenna gain includes loss in matching circuit and in the RF connectors.

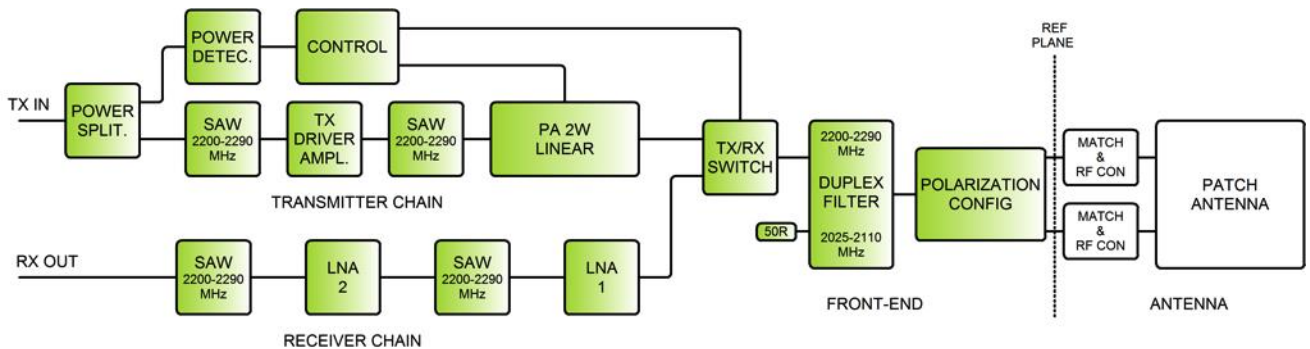
The transmitter chain includes a (pre) driver amplifier stage and a multistage balanced PA. Interstage SAW filters reduce broadband noise and provides stage isolation.

The receiver chain contains two LNAs again with interstage SAW filters to protect following stages from out-of-band interference.

All performance parameters for the electronics board and for the antenna module are given at the reference plane.

### 2.3.1 ISL Version

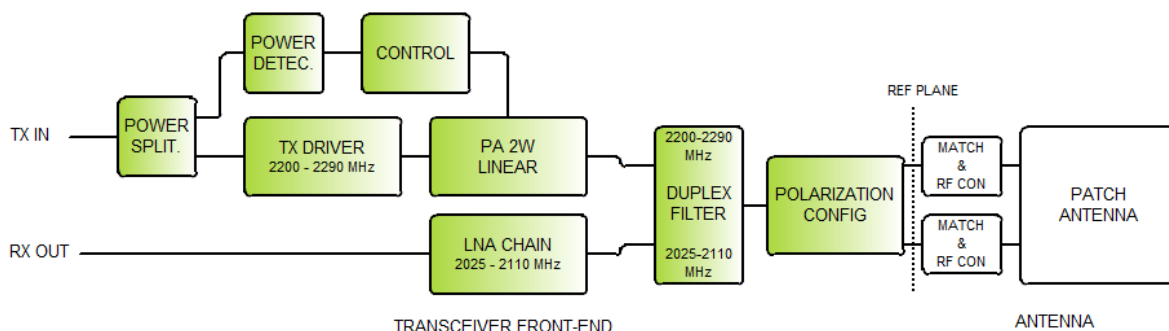
This front-end uses the same frequency band for RX and TX, which allows two ISL radio board to communicate using time division duplex.



The ISL front-end has a TX/RX switch and uses a bandpass filter (half of duplex-filter) that reduces transmitter noise (broadband) significantly. During production/checkout it can be configured if the antenna should use RHCP or LHCP.

### 2.3.2 DUP Version

The DUP version is the same as the ISL version except for the TX/RX switch and the filters on the Receiver chain. This version is available for two different frequency bands (see section 3.2).



## 2.4 Calibration and Setup

During production check-out, several calibration values are stored in the board.

For the receiver calibration values describe the RX gain at 7 frequencies across the RX band. These values can be used to implement a compensated RSSI function. (Antenna gain is not included). The RSSI values can also be temperature compensated using stored calibration values for gain temperature dependency.

The transmitter calibration values are primarily used to setup the correct input power to reach a given output power (compensated for frequency and temperature). One calibration value describes the input power detector level for a -10 dBm center frequency carrier, which will allow the SDR platform to set this level independently of cable loss. All other input levels should be set relative to the calibrated -10 dB level.

The PA has three predefined bias levels, which are optimized for 2 W, 1 W, and 0.5 W (see chapter 10.3). All levels are setup for maximum -20 dBc adjacent channel power for a 500 ksymbol/s QPSK (RC 0.35) modulated signal.

### 3 Versions

When ordering the customer must make a choice of:

- PCB version – ANT2150 ISL, ANT2150-DUP or ANT2090-DUP
- Antenna polarization (ISL default LHCP and DUP default RHCP)
- Mounting plate - depends on where the antenna is to be mounted
- Profile height – a special low profile of the antenna is available for the ISL version
- CAN termination – whether the board shall be equipped with a 120ohm terminated resistor on its CAN interface

#### 3.1 Inter Satellite Link (ISL) and Profile

	ANT2150 ISL	Unit
<b>TX band</b>	2200 - 2290	MHz
<b>RX band</b>	2200 - 2290	MHz

The ISL antenna module version comes with either a standard profile or a low profile. The low profile is intended for type D mounting (see chapter 3.3).

#### 3.2 Duplex (DUP) and Profile

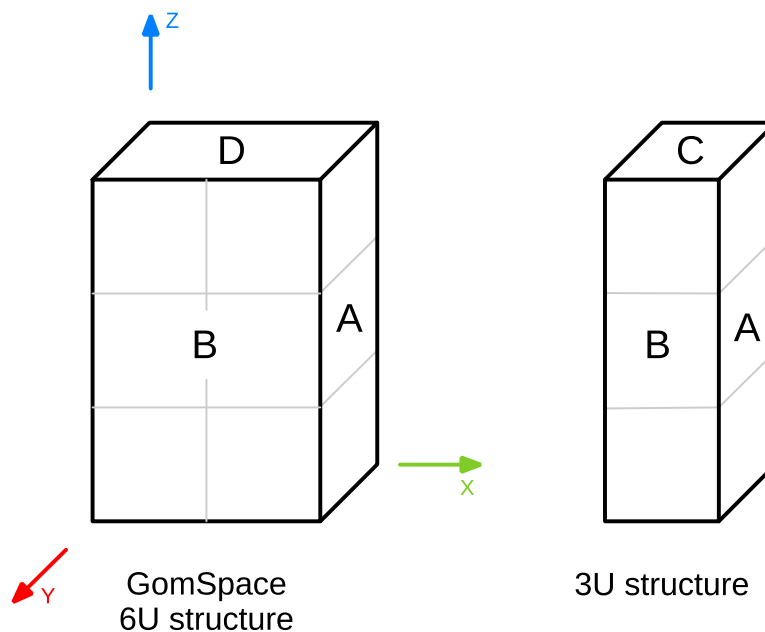
DUP comes in two versions.

	ANT2150 DUP	ANT2090 DUP	Unit
<b>TX band</b>	2200 - 2290	2170 - 2200	MHz
<b>RX band</b>	2025 - 2120	1980 - 2010	MHz

The DUP is only available with the standard profile antenna.

#### 3.3 Mounting Plate

Four different mounting plates are available, depending on where the antenna is placed on a nano-satellite. They are all 1.5 mm aluminum. The 3U is used as an example; the plates can also be mounted on 1U and 2U nano-satellite.



**Type A**



Used in a 3U structure on the A-sides and on the 6U structure A-sides.

**Type B**



Used in 3U structure on the B-sides.

**Type C**



Used in the top or bottom of a 3U structure and not exceed the height of the structure rails.

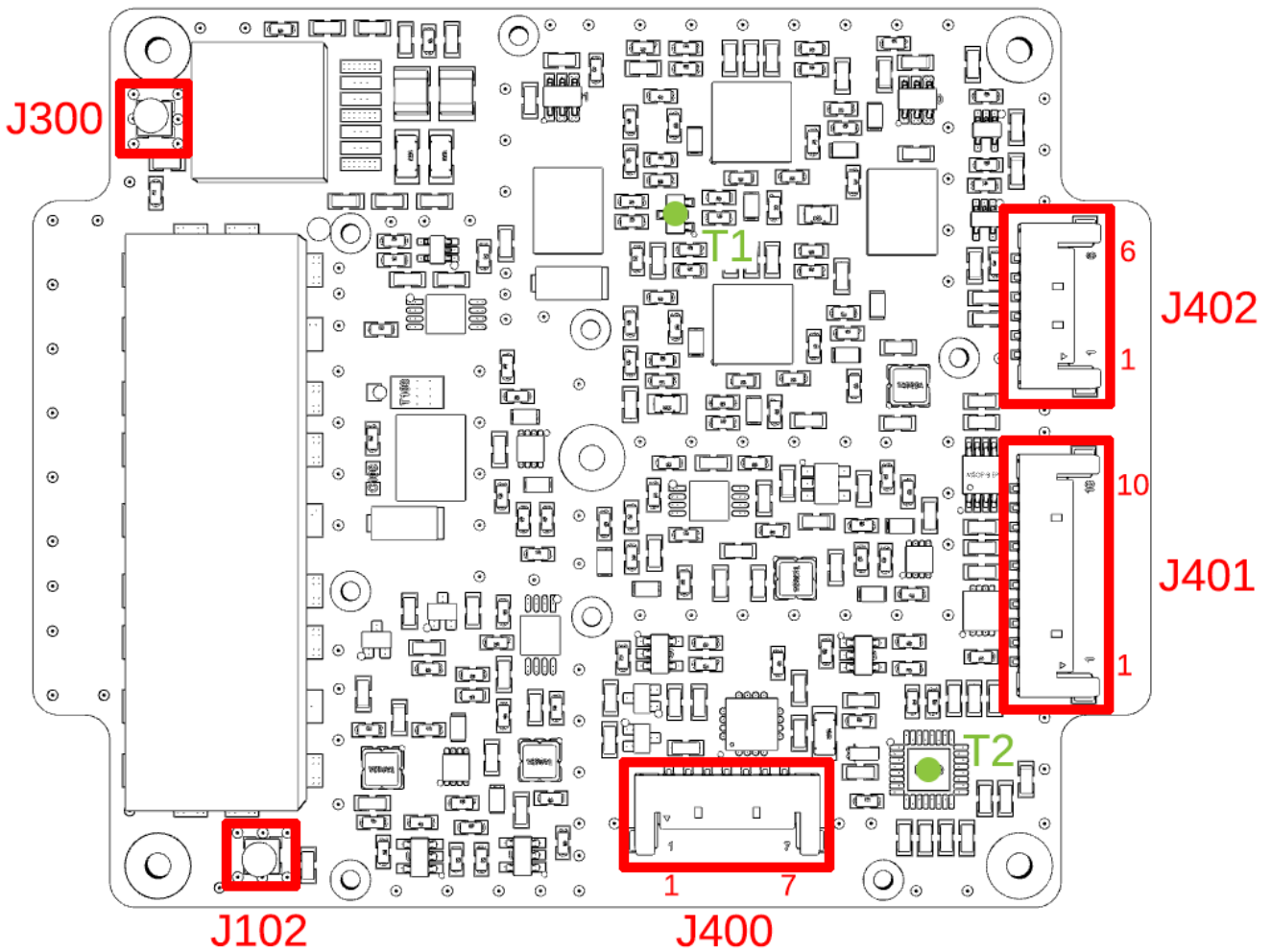
**Type D**



Designed for use with the GomSpace NanoCom ANT-6F. When equipped with a ISL with a low profile antenna, the design is made so that the overall height doesn't exceed the height of the structure rails, when ANT-6F mounted on the top or bottom of a 6U structure. If used with a standard profile antenna, precautions should be taken to ensure the launch-pod can accommodate the extra height.



## 4 Connector Pinout



### 4.1 Connector Location Top

- Temperature sensors      T1 - PA  
   T2 - Internal IC

#### 4.1.1 J102 - RX RF COAXIAL CONNECTOR

Molex SSMCX 73413-0040

Pin	Name	Description
1	RX RF	Amplified received signal
2	GND	

#### 4.1.2 J300 - TX RF COAXIAL CONNECTOR

Molex SSMCX 73413-0040

Pin	Name	Description
1	TX RF	Transmitter input signal
2	GND	

### 4.1.3 J400 - Power Connector

Molex Pico-Lock 1.50 mm pitch 504050-0791

Pin	Name	Description
1	AABON	External power control pin: Low < 0.4 V, High > 2.5 V (max 18V) Low: Antenna is OFF High: Antenna is ON (Antenna enters IDLE mode when AABON pin is asserted)
2	GND	
3	GND	
4	GND	
5	VIN	8 – 18 V supply voltage, externally switchable by AABON
6	VIN	8 – 18 V supply voltage, externally switchable by AABON
7	VIN	8 – 18 V supply voltage, externally switchable by AABON

### 4.1.4 J401 - Control Connector

Molex Pico-Lock 1.50 mm pitch 504050-1091

Pin	Name	Description
1	GND	
2	GND	
3	I2C_SCL	CSP I <sup>2</sup> C bus communication
4	I2C_SDA	CSP I <sup>2</sup> C bus communication
5	CANL	CSP CAN bus communication (Linear LTC2875 CAN transceiver used)
6	CANH	CSP CAN bus communication (Linear LTC2875 CAN transceiver used)
7	GND	
8	TXEN_EX	Select TX mode in manual duplex mode
9	TXON_EX	Power on TX circuit
10	RXON_EX	Power on RX circuit

### 4.1.5 J402 - Debug

Molex Pico-Lock 1.50 mm pitch 504050-0691

Pin	Name	Description
1	GND	
2	UART RX	GOSH serial communication
3	UART TX	GOSH serial communication
4	SWCLK	Firmware upload/debug
5	SWDIO	Firmware upload/debug
6	RESETn	Firmware upload/debug

## 5 Data Interface

ANT2000 use the CubeSat Space Protocol (CSP) to transfer data to and from CSP nodes on-board the main system bus. CSP is a routed network protocol that can be used to transmit data packets between individual subsystems on the satellite bus and between the satellite and ground station. For more information about CSP please read the documentation on [libcsp.org](http://libcsp.org) and on Wikipedia:

[http://en.wikipedia.org/wiki/Cubesat\\_Space\\_Protocol](http://en.wikipedia.org/wiki/Cubesat_Space_Protocol)

It's possible to control the board via CAN (default) or I<sup>2</sup>C.

## 6 Debug Interface

The debug interface is a USART that uses the GomSpace Shell (GOSH) to present a console-like interface to the user. GOSH is a general feature present on all GomSpace products.

The console can be used during checkout and satellite integration of the antennas to send commands and inspect/set parameters.

## 7 Absolute Maximum Ratings

Stresses above those listed under Absolute Maximum Ratings may cause permanent damage to the antennas. Exposure to absolute maximum rating conditions for extended periods may affect the reliability.

Symbol	Description	Min.	Max.	Unit
VIN	Input Supply voltage	8.0	18.0	V
PIN	Supply power draw	-	11	W
P <sub>in</sub>	Absolute maximum input power at TX and RX ports		5	dBm
T <sub>amb</sub>	Operating Temperature	-40	85	°C
T <sub>stg</sub>	Storage Temperature	-40	85	°C

## 8 Electrical Characteristics

Symbol	Description	Min.	Max.	Unit
P <sub>sup_off</sub>	Supply power, OFF	-	1.8	mW
P <sub>sup_idle</sub>	Supply power, IDLE	-	200	mW
P <sub>sup_rx</sub>	Supply power, RX mode	-	800	mW
P <sub>sup_tx</sub>	Supply power, TX STANDBY	-	600	mW
P <sub>sup_tx</sub>	Supply power, TX ACTIVE	-	10700	mW

## 9 Physical Characteristics

Description	Value	Unit
Mass (approximate – depends on mounting etc)	~ 110	g
Size (see chapter 12)	98 x 98 x 20.1	mm

## 10 RF Performance Characteristics

### 10.1 Receiver ISL

Symbol	Description	Min.	Max.	Unit
<b>Gain,rx</b>	RX Avg. Gain, 25°C	35	39	dB
	Gain ripple 25°C	-3	3	dB
	Gain ripple -40°C to 85°C	-3	-3	dB
<b>NF,rx</b>	RX Noise Figure, 25°C	2.5 (typ)	2.8	dB
	RX Noise Figure, -40°C to 85°C		3.5	dB
<b>Freq, rx</b>	RX frequency band	2200	2290	MHz

### 10.2 Receiver DUP

Symbol	Description	Min.	Max.	Unit
<b>Gain,rx</b>	RX Avg. Gain, 25°C	39	45	dB
	Gain ripple 25°C	-4	4	dB
	Gain ripple -40°C to 85°C	-5	-5	dB
<b>NF,rx</b>	RX Noise Figure, 25°C	2.0 (typ)	2.5	dB
	RX Noise Figure, -40°C to 85°C		3.0	dB
<b>Freq, rx</b>	RX band (ANT-2150-DUP)	2025	2110	MHz
	RX band (ANT-2090-DUP)	1980	2010	MHz

### 10.3 Transmitter

Symbol	Description	Min.	Max.	Unit
<b>Pow.level 2</b>	Pout	32.0 (typ)		dBm
	Pout ripple	-1.5	1	dB
	Pin	-13	-3	dBm
	DC Power (typical) (Vin 10V)	8.9	10.0	W
<b>Pow.level 1</b>	Pout	29.8 (typ)		dBm
	Pout ripple	-2	1	dB
	Pin	-16	-6	dBm
	DC Power (typical) (Vin 10V)	6.1	7.1	W
<b>Pow.level 0</b>	Pout	26.8 (typ)		dBm
	Pout ripple	-2	1	dB
	Pin	-19	-9	dBm
	DC Power (typical) (Vin 10V)	4.0	4.5	W
<b>Pin,thr</b>	Threshold for input detector – rising	-33	-24	dBm
<b>Pin,thr,hys</b>	Hysteresis for input power det.	2		dB
<b>Pout,min</b>	Min. output power for automatic TX	8	16	dBm
<b>Dup,Act</b>	Auto duplex activation time		140	µSec

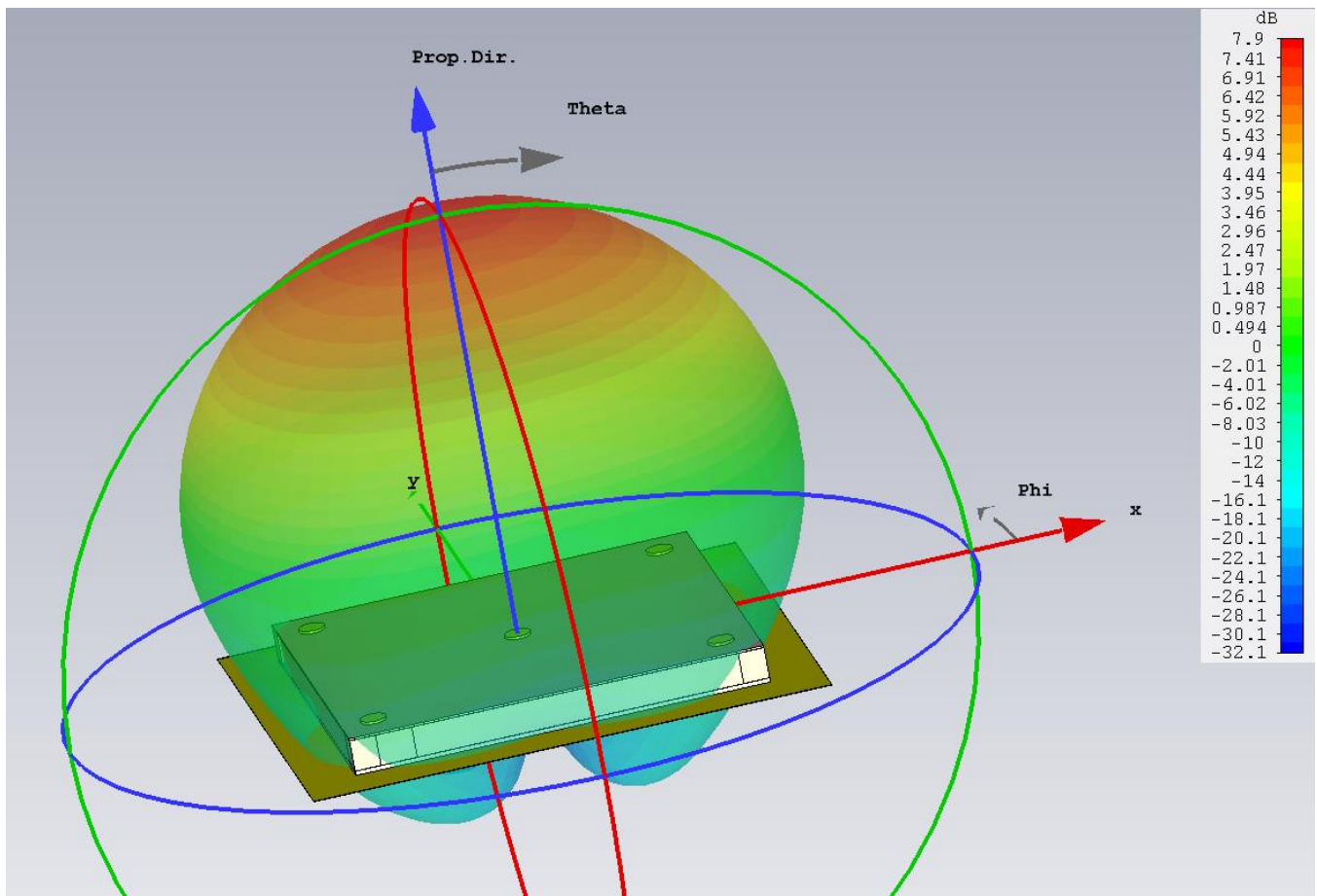
## 11 Antenna Performance

Figure below is a typical simulated radiation pattern, and a definition of the Phi and Theta angles used to describe the general antenna performance.

The antenna module includes connectors and matching circuit and has two feed ports which must be driven 90° out of phase to generate a circular polarized radiation.

On the electronics board a hybrid coupler generates the necessary quadrature signals. For the antenna measurements an adaptor board with the same hybrid coupler is used as test interface and the adaptor board loss (~0.30 dB) is compensated in the measurements.

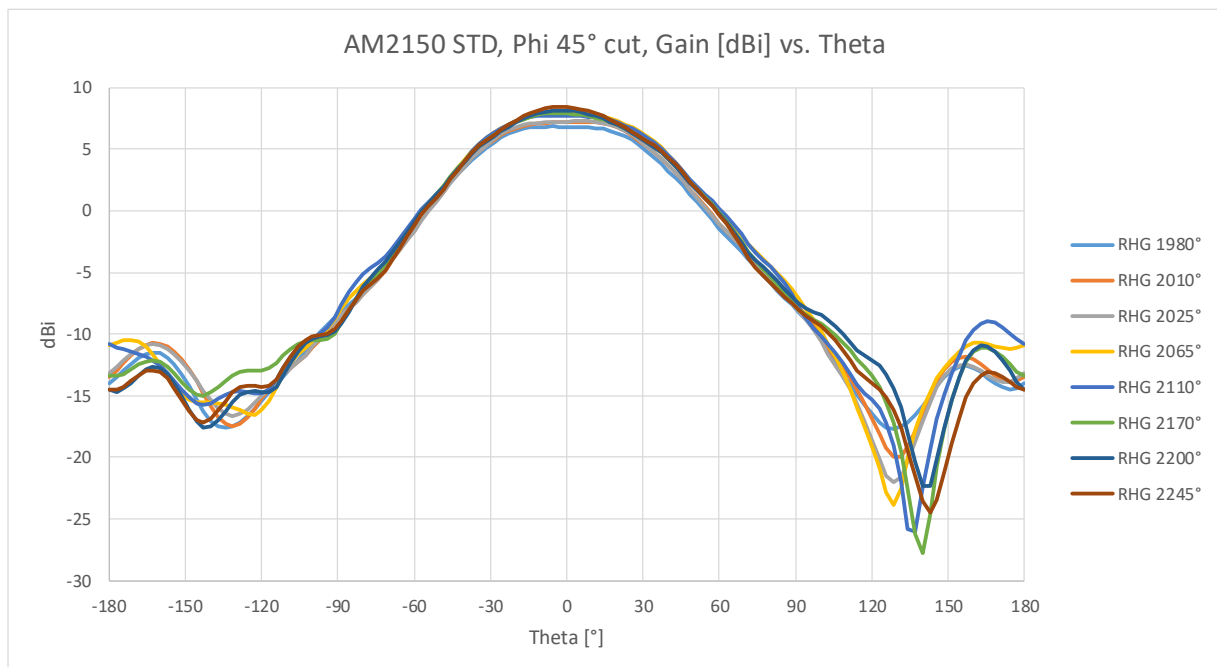
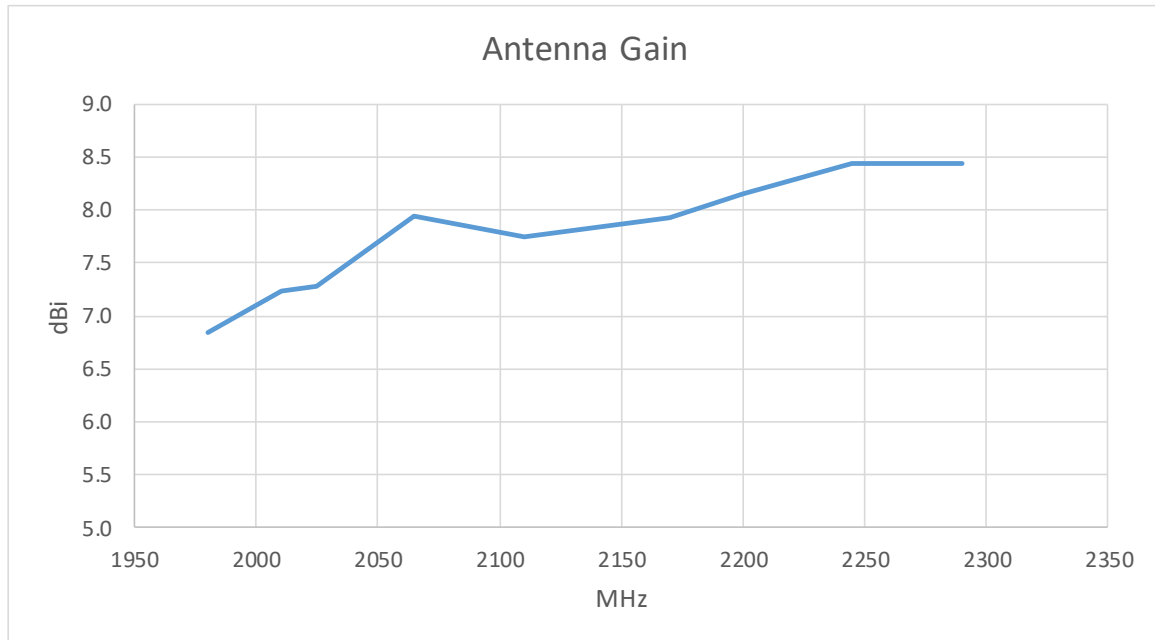
Due to symmetry of the feed ports both circular polarizations will have the same performance and the results shown in this section will be based on RHCP data.



## 11.1 Standard Profile

### 11.1.1 Antenna Gain

All antenna radiation measurements are with a Satimo Ring setup using a 98 x 98 mm aluminum ground plane. Below antenna gain (including connector) and radiation pattern for  $\Phi=45^\circ$  (diagonal across ground plane) is shown.

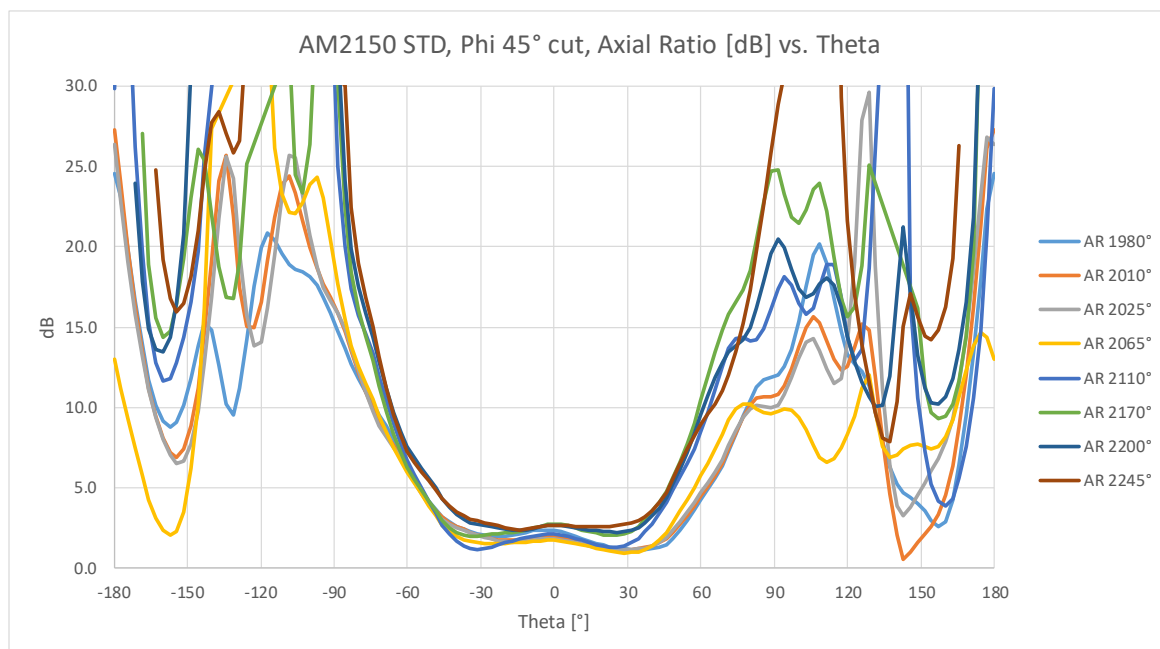
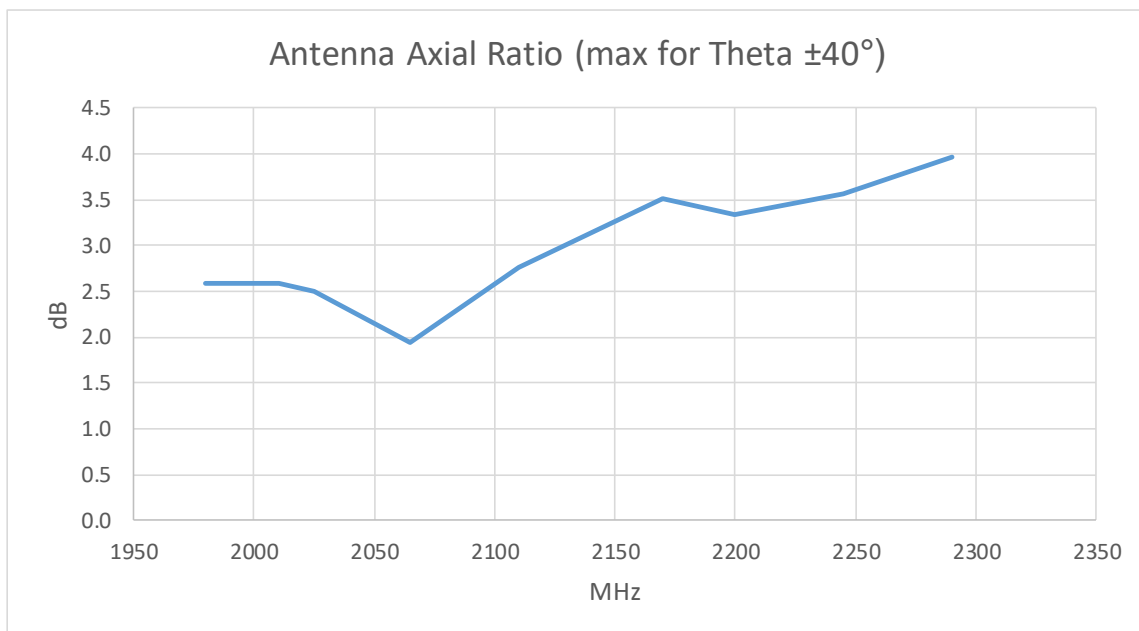


### 11.1.2 Axial Ratio

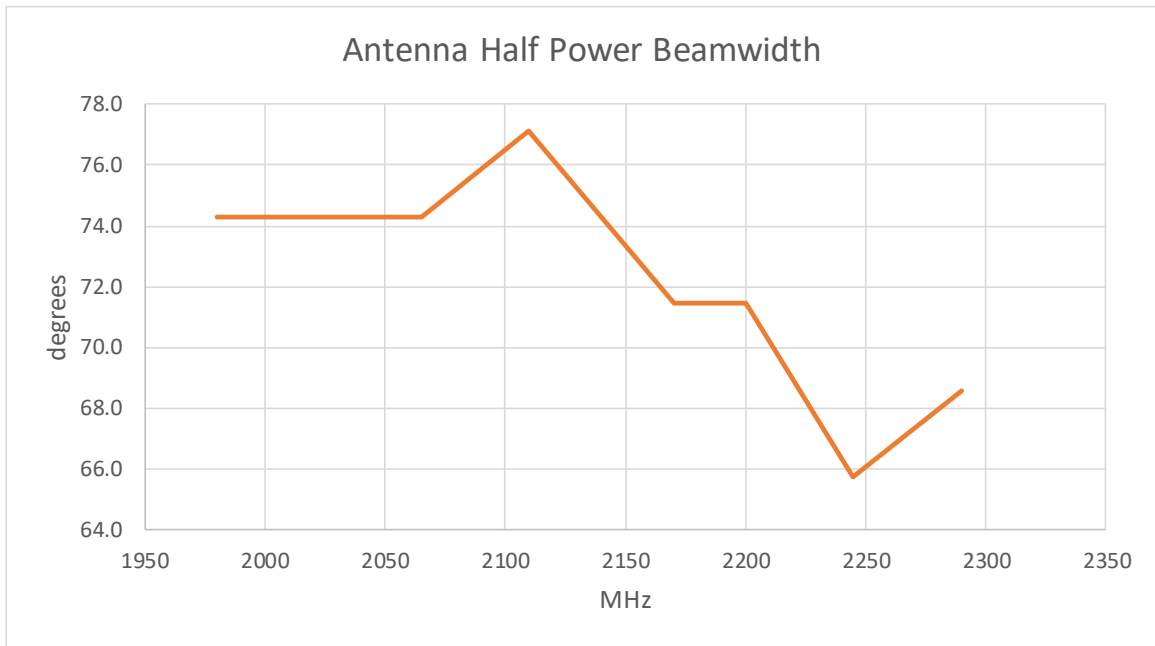
All three antennas are circular polarized, and product polarization is determined by the electronics PCB.

Below the maximum axial ratio for  $-40...40^\circ$  elevation is shown as a function of frequency, and the axial ratio as a function of Theta for a Phi angle of  $45^\circ$ .

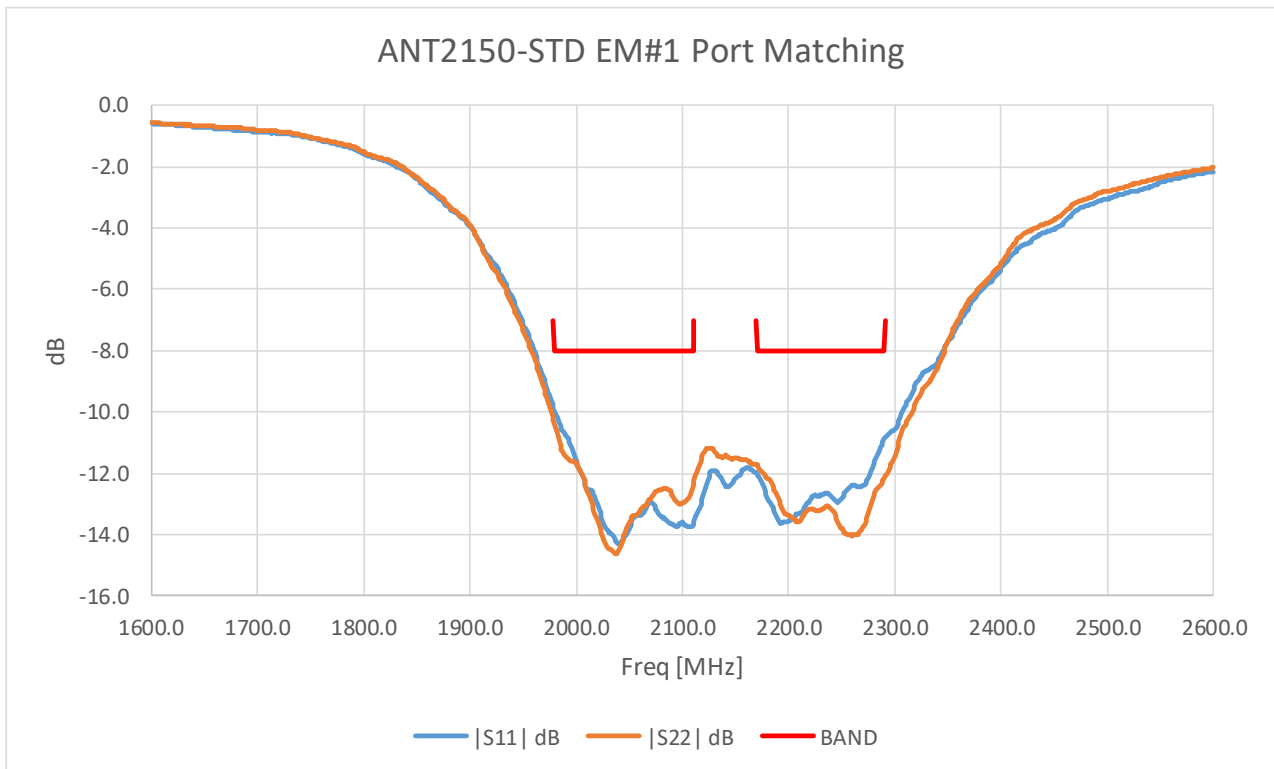
As seen the axial ratio is quite good within the halfpower beamwidth.



### 11.1.3 Half Power Beamwidth



### 11.1.4 Port Matching





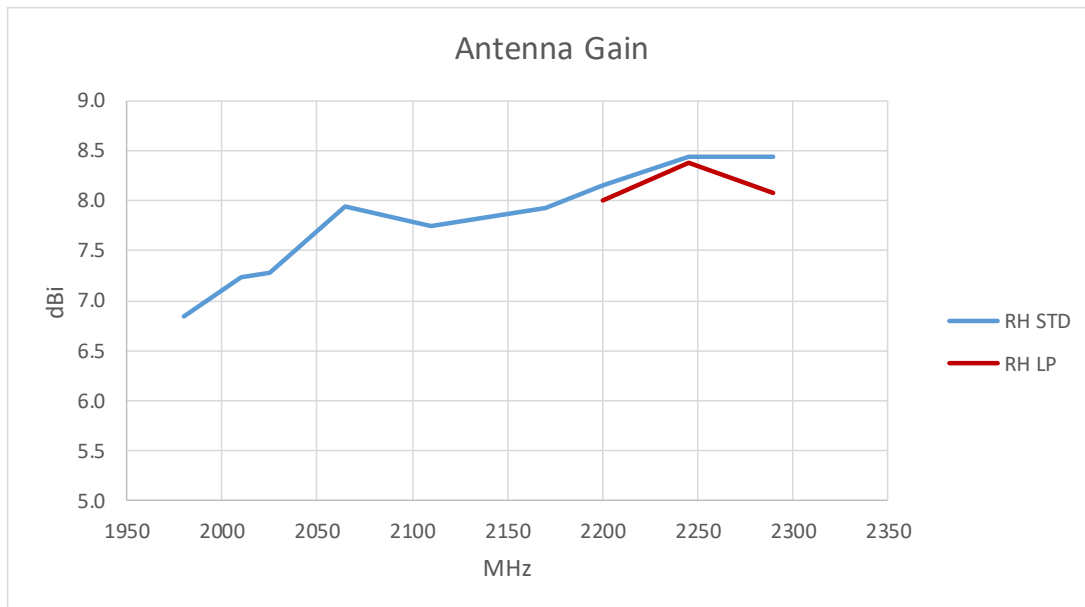
## 11.2 Low Profile

Only the ANT2150 ISL in the 2200-2290 MHz frequency band can use the low profile antenna.

The Half power beamwidth and the axial ration is virtually the same as for the standard antenna.

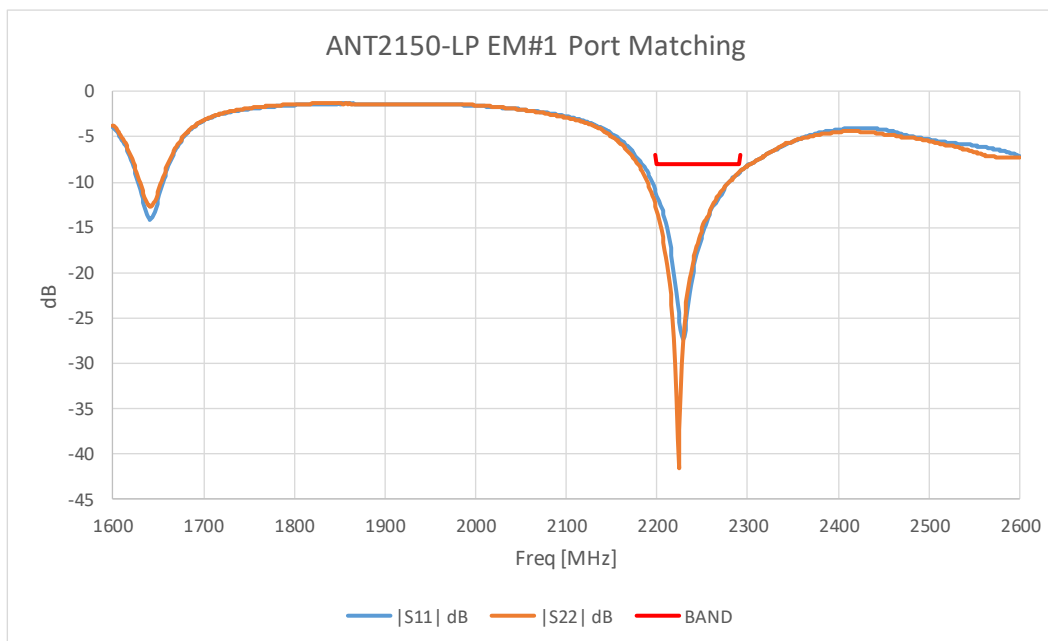
### 11.2.1 Antenna Gain

Performance within this band is marginally lower than the standard antenna primarily due to matching losses. Below the gain [dBi] is shown in comparison with the standard profile antenna.



### 11.2.2 Port Matching

The matching of the ports is significantly more narrowband than the standard antenna as shown below.

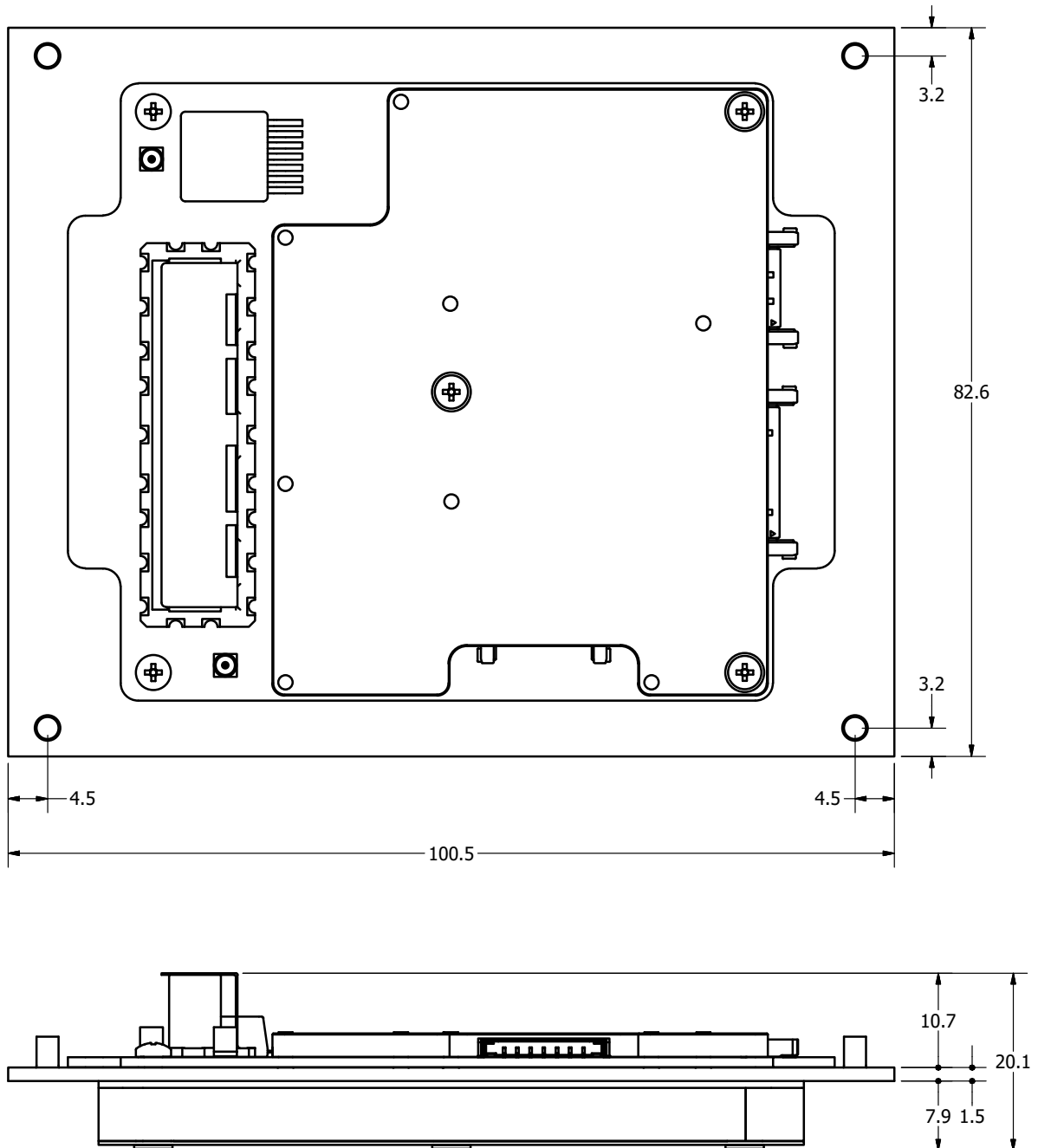


## 12 Mechanical Drawing

All dimensions in mm.

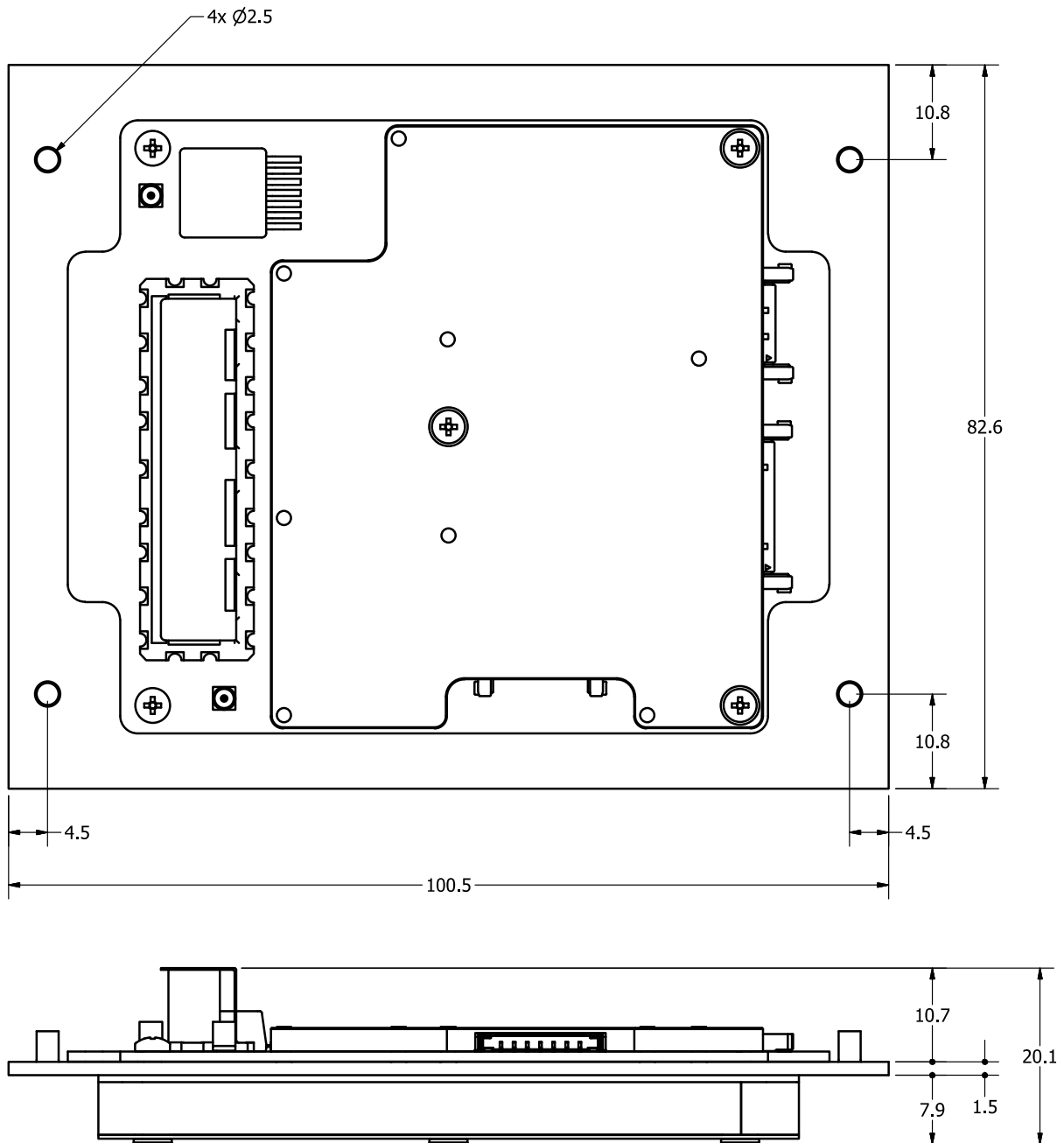
### 12.1 Type A

Depicted with an ANT2150-ISL with standard profile antenna.



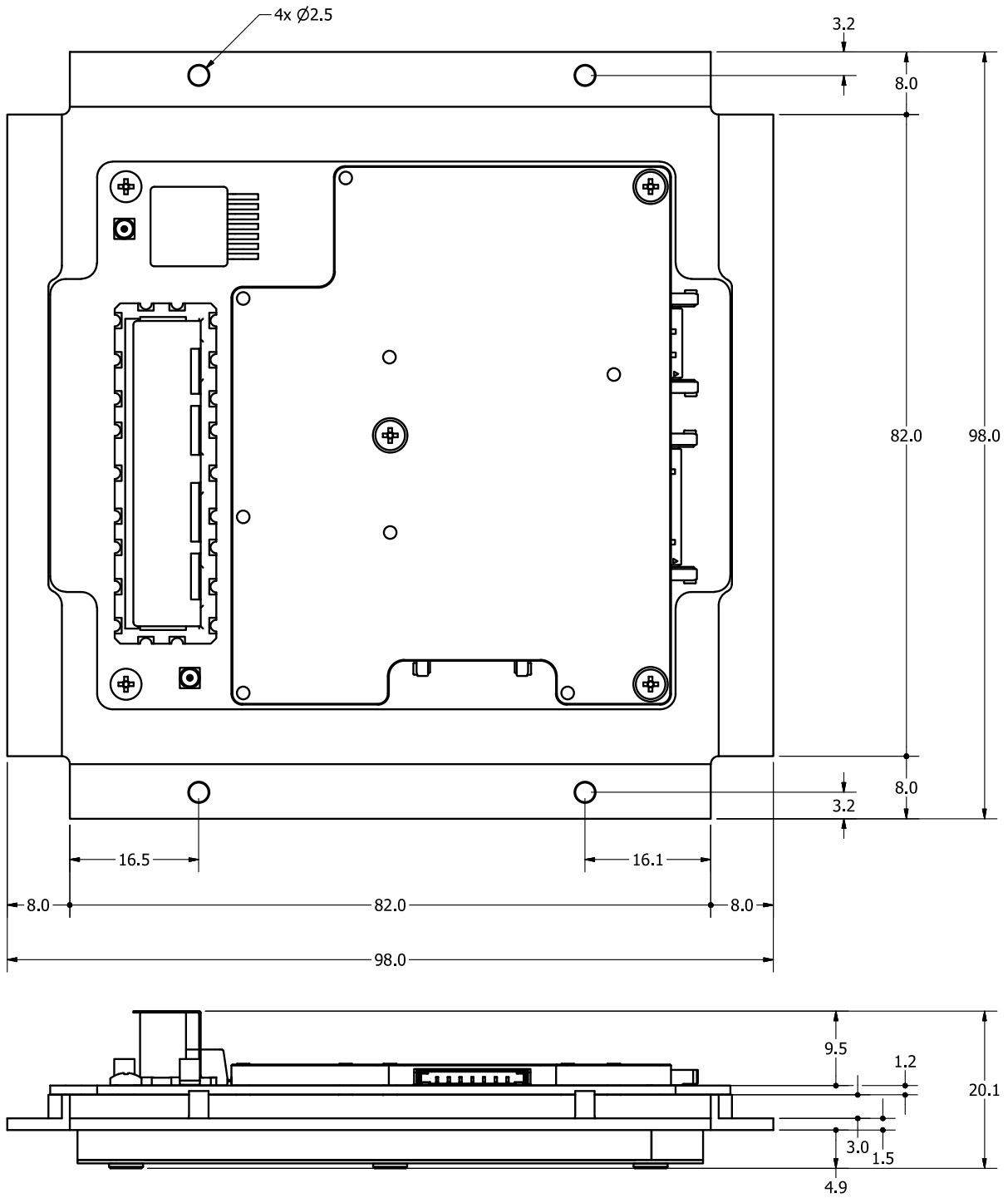
## 12.2 Type B

Depicture with an ANT-2150 ISL with standard profile antenna.



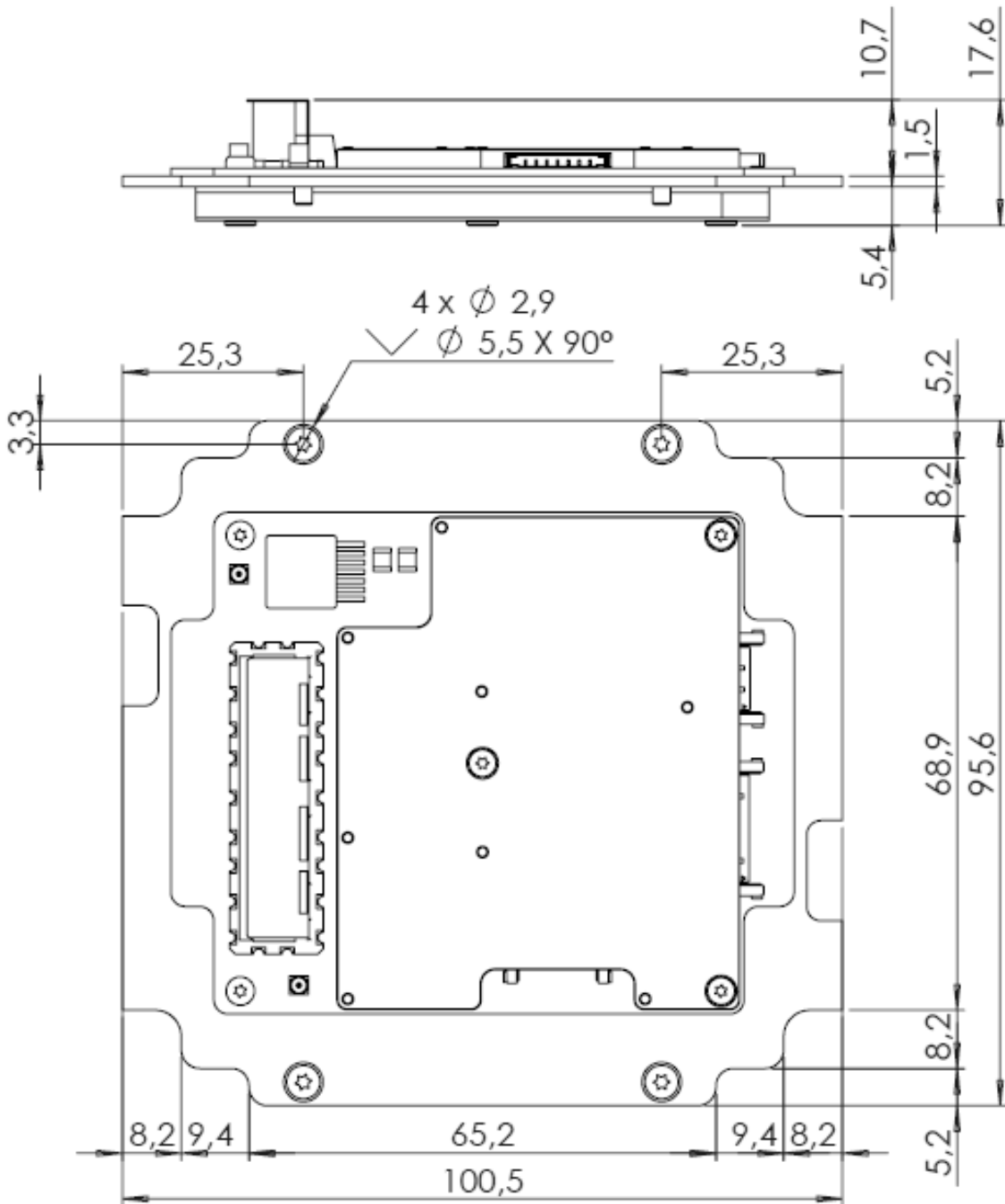
### 12.3 Type C

Depicted with an ANT-2150 ISL with standard profile antenna.



### 12.4 Type D

Depicted with an ANT2150-ISL with Low profile antenna.



## 13 Disclaimer

The information in this document is subject to change without notice and should not be construed as a commitment by GomSpace. GomSpace assumes no responsibility for any errors that may appear in this document.

In no event shall GomSpace be liable for incidental or consequential damages arising from use of this document or the software and hardware described in this document.