

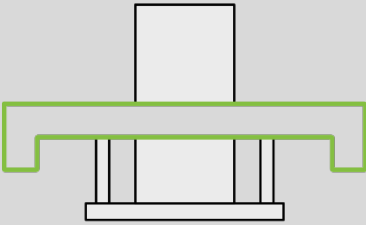
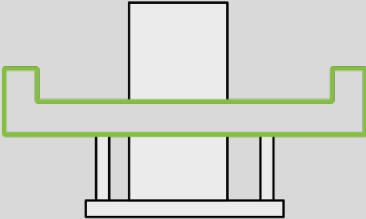
# OPTION SHEET FOR NANOCAM C1U 8/35mm

Customer Product ID: \_\_\_\_\_ (optional, enter your reference here)

Order number: \_\_\_\_\_

## 1. Configuration Table

<b>I<sup>2</sup>C pull-up option</b> <i>(Default is no pull-up)</i>	
<b>Pull-up resistor 4,7 K<math>\Omega</math> (set-X)</b>	

<b>Lens Table option</b> Can be mounted either pointing up (reverse) or down, view datasheet <i>(For 1U it should normally be pointing up)</i>	
<b>Down (set-X)</b>	
<b>Up (set-X)</b>	

## 2. Disclaimer

The information in this document is subject to change without notice and should not be construed as a commitment by GomSpace. GomSpace assumes no responsibility for any errors that may appear in this document.

In no event shall GomSpace be liable for incidental or consequential damages arising from use of this document or the software and hardware described in this document.

Product name: NanoCam C1U 8/35mm

Document No.: 1010743

Revision: 3.1

Author: KERA

Approved by: LMR

Approval date: 02 March 2020

## Confidentiality Notice

This document is submitted for a specific purpose as agreed in writing and contains information, which is confidential and proprietary. The recipient agrees by accepting this document, that this material will not be used, transferred, reproduced, modified, copied or disclosed in whole or in part, in any manner or to any third party, except own staff to meet the purpose for which it was submitted without prior written consent.

GomSpace © 2020